

Features & Benefits

- For weather exposed locations
- UV-resistant plastic ASA
- Extremely efficient weatherproofing
- Available in white and grey



Fresh Tyfon

Fresh Tyfon is a weather protective air intake.

A unique solution that dampens the driving wind and offers an efficient protection against water insurgence.

The air is inducted through a pipe which is protected under a cover, providing an efficient water barrier at the same time deflecting the wind.

Tyfon is designed to fit Fresh adapters and can be used for channels with internal dimension Ø81, 98 and 100mm together with Fresh seal.

Insectmesh #150 is available as an accessory.



Specification

Product	Description	Art no bulk
Fresh Tyfon White #180	Rain and storm proof air intake in UV-resistant ASA plastic	910008
Fresh Tyfon Grey #180	Rain and storm proof air intake in UV-resistant ASA plastic	910009
Insect net	Insect net #150	664003

Description / function

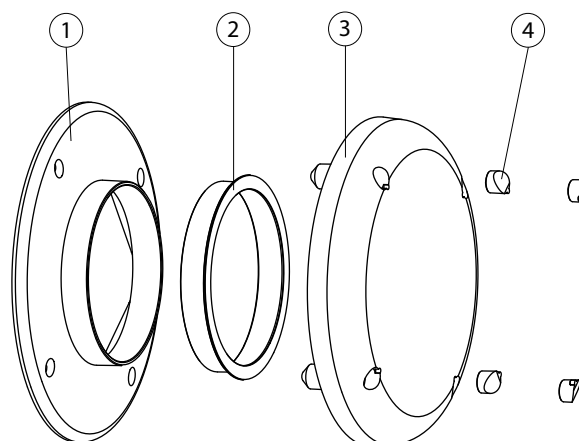
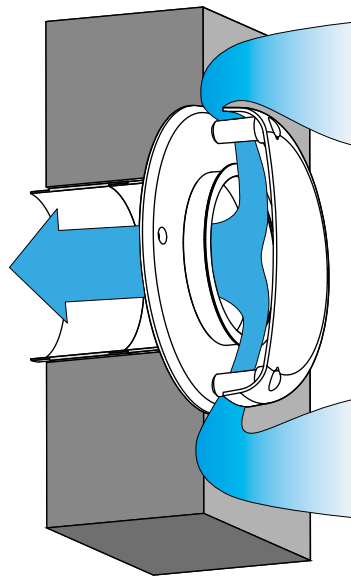
Weather-proof air intake for installation on external facades. Thanks to its unique design it efficiently prevents rainwater from forcing its way in and significantly reduces the wind effect. To a certain effect Tyfon also protects against outdoor noise due to the cover that conceals the opening on the facade.

Fits on directly with a quick-release fastener to all of Fresh's adapters with leadthrough dimensions $\varnothing 98/102$ and $\varnothing 81/85$ mm. Even adapter $\varnothing 95$ fits. If necessary the insect mesh #150 can be used. This is placed between the adapter and the wall plate.

Tyfon is easy to install and has a very robust construction that prevents the cover from coming loose. The entire Tyfon unit is fixed to the wall with four screws that hold both the cover and the fixing plate together. This makes it extremely stable.

Tyfon consists of a wall plate (1) with a drop ring (2), cover (3) and four plugs (4) to cover the screw holes.

The wall plate is additionally fitted with a gasket to ensure a tight installation.



Technical data

Material: UV-resistant constructed in ASA plastic
 Colour: White and grey

An airflow of 8 l/s at 10 Pa can be maintained by most of the vents.

