

## Features & Benefits

- Two speed selectable motor
- Timer versions available
- Removable motor core assembly
- Rotating motor chassis assembly
- Supplied complete for installation
- IP44 rated



The TF series is a complete range of energy efficient Mixed Flow In-Line Duct fans that are now quieter, offer two and half times the pressure of conventional axial fans and are dimensionally more compact making them ideal for many ducted applications. The TF Mixed Flow Duct In-Line fan can operate in both horizontal and vertical positions.

## Motor

All motors are fitted with Standard Thermal Overload Protection (S.T.O.P.). Designed for ambient temperatures up to +55 °C. All sizes with capacitor run motors. All sizes are Class II appliances. Supply voltage 220-240V/1/50Hz.



These units have a separate footplate for simple location mounting and detachable spigots for simple connection to ducting. The motor body chassis now rotates to provide connection in acute spaces. Cleaning the product has also become simple as all parts can be removed without removing the ducting.

## Specification

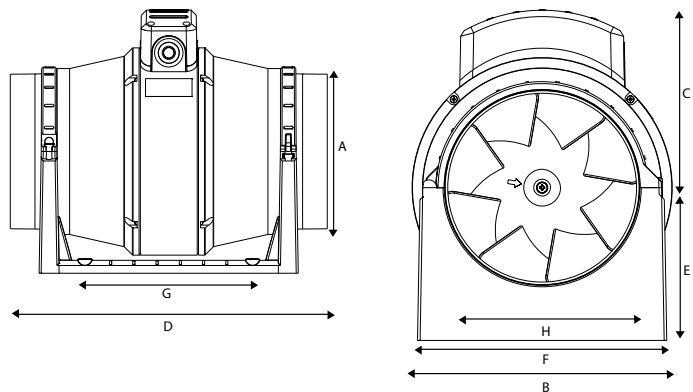
| Model | Description  | Art. no. |
|-------|--|----------|
| TF100 | Energy efficient Mixed Flow In-Line Duct fan, Ø100mm | 430102   |
| TF125 | Energy efficient Mixed Flow In-Line Duct fan, Ø125mm | 430112   |
| TF150 | Energy efficient Mixed Flow In-Line Duct fan, Ø150mm | 430122   |
| TF200 | Energy efficient Mixed Flow In-Line Duct fan, Ø200mm | 430132   |

# TF100/125/150/200

In-Line duct fans

## Dimensions (mm)

| Size          | 100   | 125   | 150 | 200   |
|---------------|-------|-------|-----|-------|
| A $\emptyset$ | 97    | 122   | 147 | 199,5 |
| B $\emptyset$ | 178   | 178   | 200 | 223   |
| C             | 124   | 124   | 138 | 146   |
| D             | 298   | 259   | 350 | 300   |
| E             | 96    | 96    | 118 | 130   |
| F             | 168   | 168   | 192 | 195   |
| G             | 120   | 120   | 162 | 100   |
| H             | 153.5 | 153.5 | 178 | 180   |



## Performance

| Size | Nominal |                    |       |      |
|------|---------|--------------------|-------|------|
|      | r.p.m   | m <sup>3</sup> / h | Watts | Amps |
| 100  | H 2200  | 244                | 23    | 0.1  |
| 125  | H 2400  | 276                | 23    | 0.1  |
| 150  | H 2350  | 512                | 44    | 0.2  |
| 200  | H 2250  | 680                | 112   | 0,5  |

## Test methods

AMCA STANDARD 210  
ISO 13347 PART 3

## Mounting

The fan can be mounted horizontally or vertically in a channel. Screw the fan to a scantling or other suitable construction.

It is recommended that a minimum channel length of 1 m precede the fan i.e. from the "air suction" side. When mounted vertically it is important that the channel opening is provided with a grille or similar to prevent loose particles and water penetrating the fan motor.

Connect the channel on one or both sides depending on usage. Make sure that the mounting is stabile.

## Maintenance

The fan should be cleaned once/year for optimal function. Before cleaning the electric voltage must be disconnected. By loosening the two clamps on one side of the fan the cleaning is facilitated. The fan can be cleaned with a damp cloth or similar.

## Guarantee

The fan has a five year guarantee for defects of fabrication.

