

Dexter thermostatic valve set

Available versions:

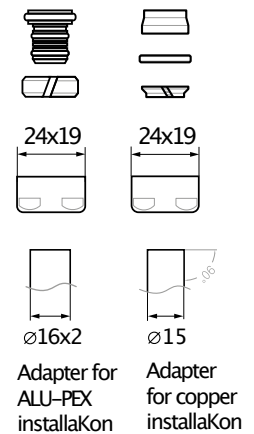
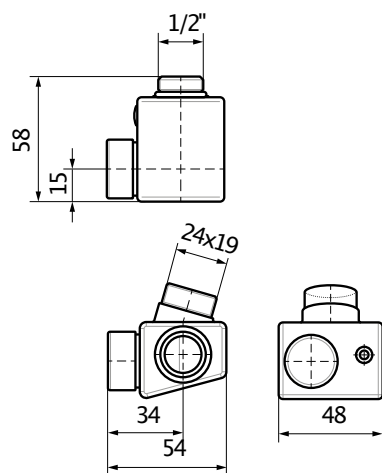
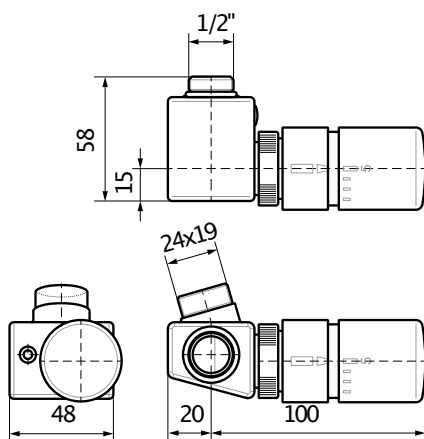


The left or right-hand version determines the position of the thermostatic insert or manual valve with male thread.

Colour Options: ○●○

Dedicated to the radiator:

Dexter



Position	Size	Colour	Product code
Left	GZ 1/2" - \varnothing 16x2, \varnothing 15	White	TGETCG1-BI
Right	GZ 1/2" - \varnothing 16x2, \varnothing 15	White	TGETCG2-BI
Left	GZ 1/2" - \varnothing 16x2, \varnothing 15	Chrome	TGETCG6-CR
Right	GZ 1/2" - \varnothing 16x2, \varnothing 15	Chrome	TGETCG7-CR
Left	GZ 1/2" - \varnothing 16x2, \varnothing 15	Satin	TGETCG1-ST
Right	GZ 1/2" - \varnothing 16x2, \varnothing 15	Satin	TGETCG2-ST