

Intra M



colour included
in the price



Intra M 1700↑ × 640↔ ZX
colour: Metallic Stone

Integrated thermostatic valve, angled, left, chrome
SLIM thermostatic head, chrome
Integrated pipe-masking set, chrome



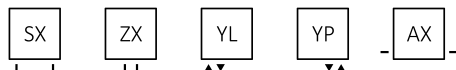
Intra M



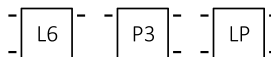
colour included
in the price

Design : *Terma*

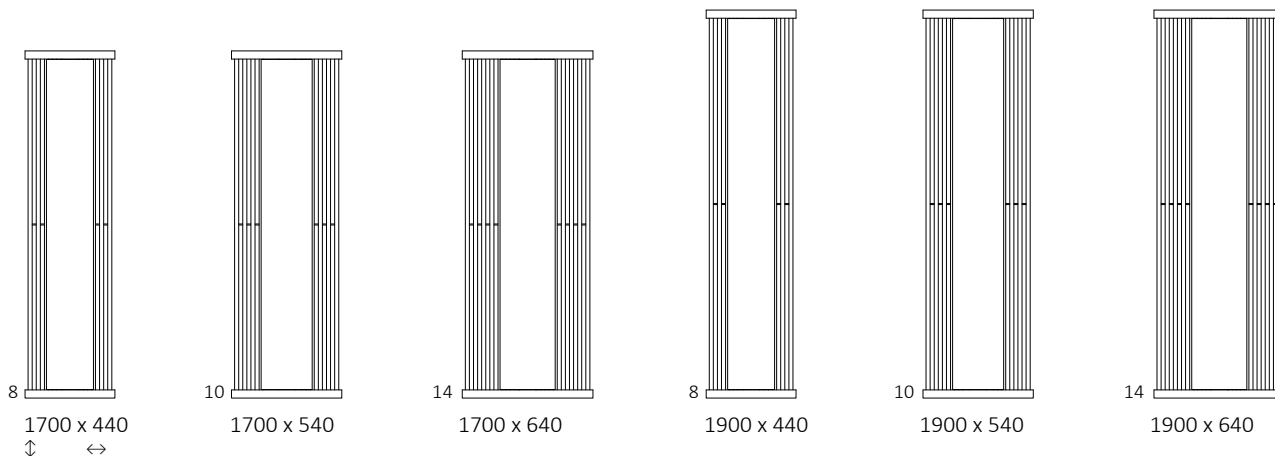
Standard connection:



Optional connection:



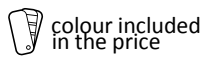
Available sizes:



Specification:

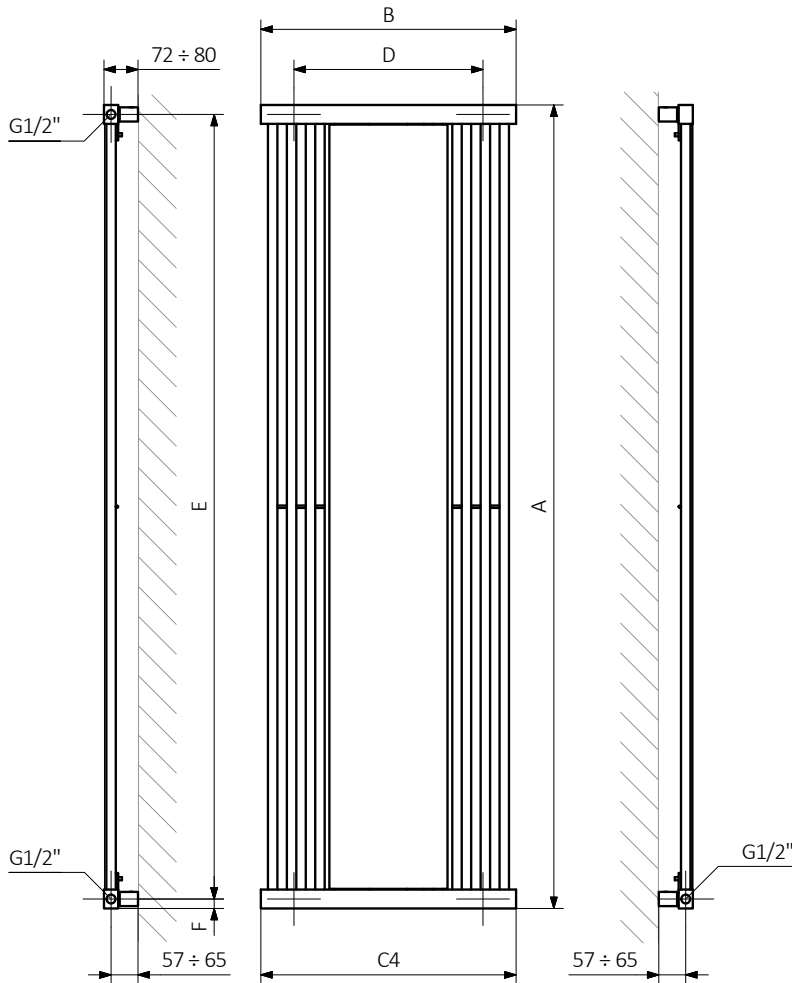
Working pressure: 800 kPa Maximum operating temperature: 95°C

A ↓ [mm]	B ↔ [mm]	C1 [mm]	C2 [mm]	C4 [mm]	75/65/20°C [W]	55/45/20°C [W]	D [mm]	E [mm]	F [mm]	H [dm ²]	⚖️ [kg]	Product code <small>Configuration code p. 5</small>
Paint												
1700	440	50	400	440	528	269	300	1660	20	4,60	19,28	WGINT170044
1700	540	50	500	540	660	337	400	1660	20	5,73	22,54	WGINT170054
1700	640	50	600	640	925	472	500	1660	20	7,80	28,65	WGINT170064
1900	440	50	400	440	600	306	300	1860	20	5,06	21,37	WGINT190044
1900	540	50	500	540	762	388	400	1860	20	6,31	24,98	WGINT190054
1900	640	50	600	640	995	507	500	1860	20	8,60	31,79	WGINT190064
Plating												
1700	440	50	400	440	370	192	300	1660	20	4,60	18,84	WGINT170044
1700	540	50	500	540	462	240	400	1660	20	5,73	21,99	WGINT170054
1700	640	50	600	640	647	337	500	1660	20	7,80	27,90	WGINT170064

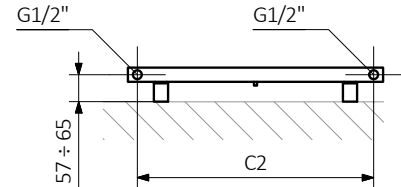


Technical drawing:

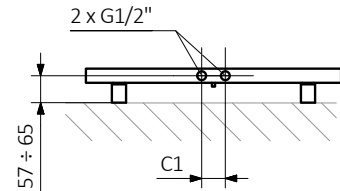
AX



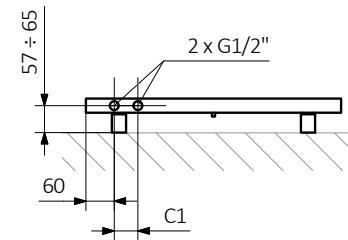
SX



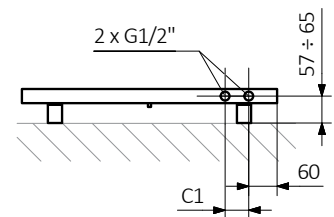
ZX



YL



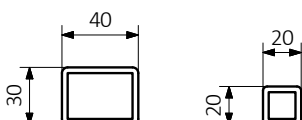
YP



A – Height B – Width C1-C5 – Distance between pipe centres D – Horizontal distance between mounting bracket centres
E – Vertical distance between mounting brackets F – Distance between a mounting bracket and the bottom of the radiator

Collector :

Pipe :





colour included
in the price

In the table with technical data, the last column lists product codes. When placing an order, please remember to quote the product code followed by the configuration code as shown in the diagram below:

The construction of a water and dual fuel radiator product and configuration code:

WGINT170044

K916SX

PRODUCT CODE
(located in the table for the product)

CONFIGURATION CODE
(supplemented by hand)

Example Configuration

K **916** **SX**

Package code
K - carton box

Colour code

Connection code

Epoxy primer

E - Code of epoxy primer is an extra processes.

WGINT170044 K916SX **E** — Extra processes or additions code

Intra M



colour included
in the price

Legend



Radiator available in a "water" version.



Radiator suitable for dual fuel connection. Electric heating element can be installed.



Radiator available in electric only version. It comes prefilled with a 'heating medium' and equipped with a heating element. All tested and ready to use.



Connection types dedicated for this radiator. The icon shows the flow and return connections for the radiator as well as the thermostatic valve and heating element position if applicable.



Suggested heating element power output for electric and dual fuel versions.



Weight.



Capacity.



Available in chrome finish.



colour
included
in the price

No additional payment for a color.