



TERMA

SINCE 1990



8 COLORS
CONFIGURATIONS



VAZ THERMOSTATIC HEAD



THE TERMA SMART WI-FI SYSTEM:

- an innovative interior heating system with a self-learning control algorithm,
- the possibility of creating an individual configuration based on three types of devices and two types of sensors,
- a set of tools facilitating conscious energy management and savings, such as predefined system operation modes, individual schedules or window opening control,
- active adjustment of operating parameters to weather conditions,
- intelligent reduction of the temperature in an empty house and raising it when residents return home;
- possibility of remote control over the system operation via the Internet,
- *Child lock* function (parental control) for all devices,
- no need to install an expensive module for communication between devices.

FUNCTIONS AND FEATURES

SOPHISTICATED DESIGN

Sophisticated design of the SMART family, elegant black or the timeless white of the housing are the hallmarks of the VAZ thermostatic head. Together with the fading display, they enhance the subtle looks of the entire device. The thermostatic head is powered by a high-performance battery cell, which can last for the entire heating season on a single charge* (depending on the selected operating mode). Extremely easy installation and the auto-calibration procedure allow the head to be installed in almost any radiator and on any type of thermostatic valve. Basic regulations are available through the control panel of the device, and the full functionality of the system is realised through the TERMA Smart mobile application. The device works with window opening sensors and an additional temperature and humidity sensor from the SMART series.

(* in ECONOMY mode, with moderate intensity of system operation)

FUNCTIONALITY

The remotely controlled VAZ Smart thermostatic head offers 5 room temperature settings ranging from 15 to 28 °C and a 7-day work schedule. The full functionality of the head is available through the TERMA Smart control application. The device has a built-in temperature sensor, but as part of the Smart system it also works with an external temperature and humidity sensor and a window opening sensor.

REMOTE CONTROL

The device can be controlled remotely by means of the free TERMA Smart control application (Android / iOS) installed on any portable device (e.g. smartphone or tablet) that allows connection to the Wi-Fi network. From a single mobile device, we can control any number of Smart series devices, both locally from home and externally, via the Internet. The Smart system consists only of heating devices and sensors, and no additional control module is required.

SAFETY OF THE INSTALLATION AND THE HEATER

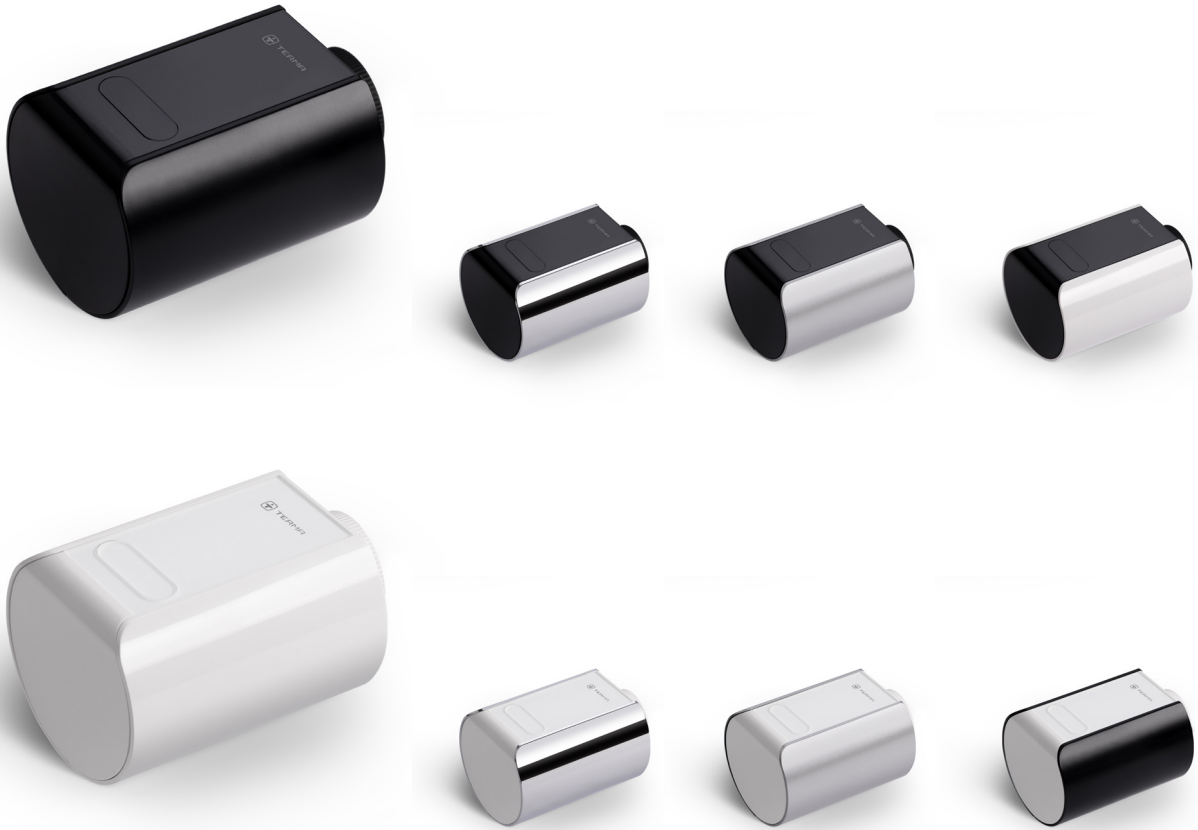
The head features the ANTIFROST function activated automatically when the ambient temperature drops to approx. 6 °C in order to prevent the radiator from freezing. Also in the event of a critically low battery level, the head opens the valve in emergency mode to avoid accidental freezing of the system. The device signals alarm states directly on the interface and through the control application.

DESIGN AND CONSTRUCTION

The 5-segment LED indicator shows the currently set operating temperature and signals the active additional functions. The control panel adapts to the installation position of the head (vertical or horizontal). Battery charging socket is hidden under the front cover. The pushing shaft retraction function allows convenient installation and removal of the head. Ready for mounting on the valve with M30x1.5 thread (adapters for Danfoss RA, RAV, RAVL, M28x1.5 valves and Giacomini and Caleffi valves available as separate accessories).

COLOURS

Main housing with the control panel in white or black. Decorative side covers in the following colours: white, silver, chrome and black. The device is also available in any RAL colour and Terma special colours (brass and gold) subject



DECORATIVE SIDE COVERS IN PREMIUM COLOURS

MAIN HOUSING BLACK



BLACK + TRUE COPPER BRIGHT



BLACK + BRUSHED BRASS



BLACK + BRASS



BLACK + SILVER



BLACK + RED WINE



BLACK + RAW METAL



BLACK + PERS



BLACK + OLD BRONZE



BLACK + MIDNIGHT



BLACK + METAL ALIVE



BLACK + BOTTLE GREEN



BLACK + CHAMPAGNE

DECORATIVE SIDE COVERS IN PREMIUM COLOURS

MAIN HOUSING WHITE



BLACK + TRUE COPPER BRIGHT



BLACK + BRUSHED BRASS



BLACK + BRASS



BLACK + SILVER



BLACK + RED WINE



BLACK + RAW METAL



BLACK + PERS



BLACK + OLD BRONZE



BLACK + MIDNIGHT



BLACK + METAL ALIVE



BLACK + BOTTLE GREEN



BLACK + CHAMAPGNE

TECHNICAL SPECIFICATIONS

Power supply: 5.8 Ah battery pack

Device protection class: Class III

Radiator connection: M30 x 1,5

IP code*: IP20

Wi-Fi: 2,4 GHz 802.11 b/g/n

* IP code specifies the degree of protection provided by enclosure

ADAPTERS



Thermostatic head adapter for RAV valve.



Thermostatic head adapter for M28x1.5 valve.

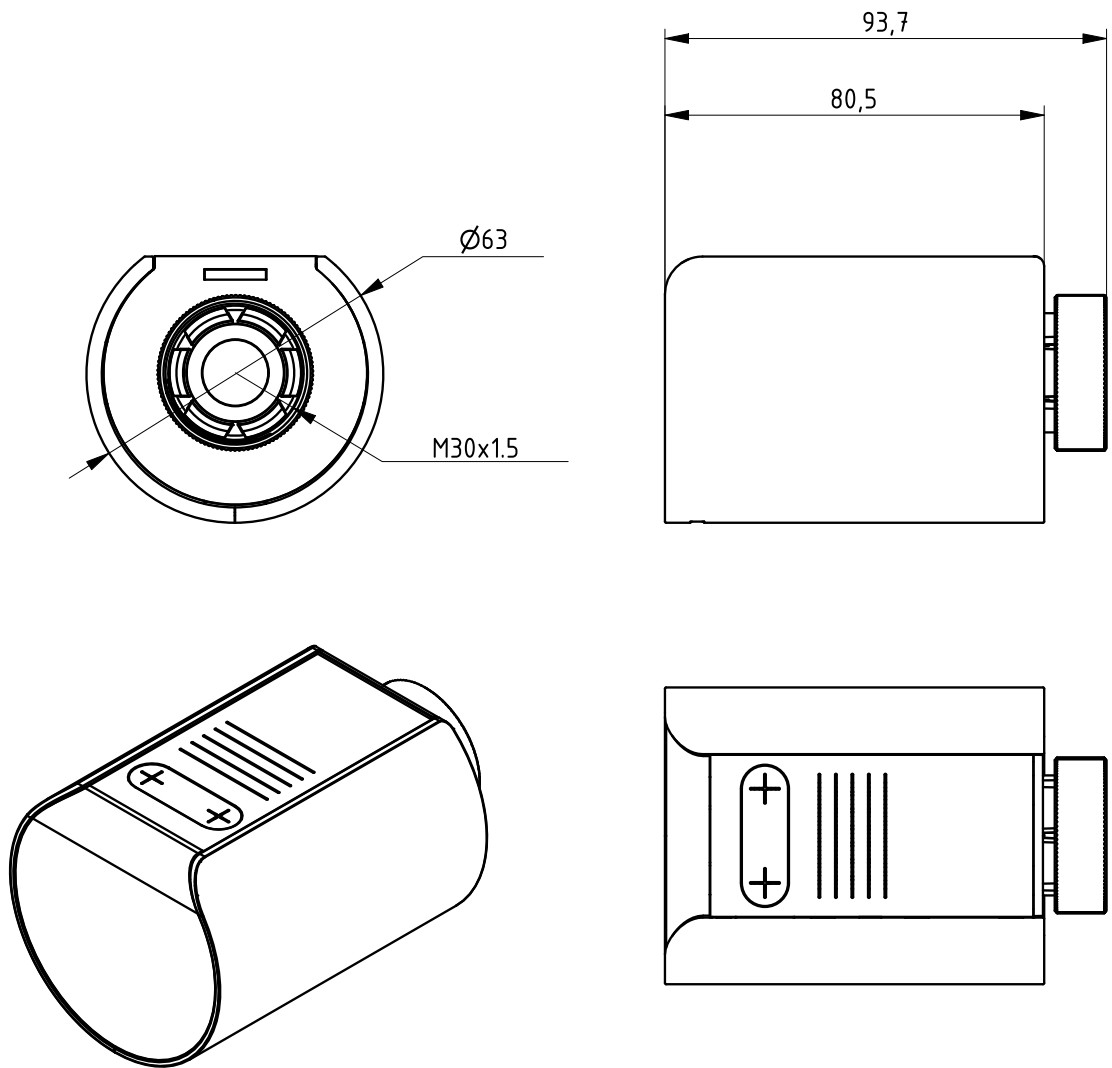


Thermostatic head adapter for RAVL valve.



Thermostatic head adapter for RA valve.

TECHNICAL DRAWING



SPECIFICATION

model	housing colour code	side covers colour	product code	configuration code
VAZ	White	White	WIVAZ	KWWX
VAZ	White	Black	WIVAZ	KWBX
VAZ	White	Silver (Silver Matt)	WIVAZ	KWSX
VAZ	White	Chrom	WIVAZ	KWCX
VAZ	White	Bottle Green	WIVAZ	KWBGR
VAZ	White	Midnight	WIVAZ	KWMDN
VAZ	White	Brushed Brass	WIVAZ	KWBBS
VAZ	White	Brass	WIVAZ	KWBRA

VAZ	White	Champagne	WIVAZ	KWCPG
VAZ	White	Pers	WIVAZ	KWPER
VAZ	White	Old Bronze	WIVAZ	KWOBZ
VAZ	White	True Copper Bright	WIVAZ	KWTCTG
VAZ	White	Red Wine	WIVAZ	KWRWE
VAZ	White	Raw Metal	WIVAZ	KWRAW
VAZ	White	Metal Alive	WIVAZ	KWMAV
VAZ	White	Silver	WIVAZ	KWSVR
VAZ	Black	White	WIVAZ	KWWWX
VAZ	Black	Black	WIVAZ	KWBX
VAZ	Black	Silver (Silver Matt)	WIVAZ	KWSX
VAZ	Black	Chrom	WIVAZ	KWCX
VAZ	Black	Bottle Green	WIVAZ	KWBGR
VAZ	Black	Midnight	WIVAZ	KWMDN
VAZ	Black	Brushed Brass	WIVAZ	KWBBS
VAZ	Black	Brass	WIVAZ	KWBRA
VAZ	Black	Champagne	WIVAZ	KWCPG
VAZ	Black	Pers	WIVAZ	KWPER
VAZ	Black	Old Bronze	WIVAZ	KWOBZ
VAZ	Black	True Copper Bright	WIVAZ	KWTCTG
VAZ	Black	Red Wine	WIVAZ	KWRWE
VAZ	Black	Raw Metal	WIVAZ	KWRAW
VAZ	Black	Metal Alive	WIVAZ	KWMAV
VAZ	Black	Silver	WIVAZ	KWSVR



TERMA SMART

TAILOR-MADE APPLICATION

Allows the comfort of remote management of each Terma Smart wi-fi heating device.

Makes it easier to manage home by dividing it into heating zones and setting separate system operating parameters for each of them.

Provides measurable economic benefits through easy optimization of energy consumption for heating the house.

Helps to maintain high thermal comfort at all times by means of work schedules adjusted to individual needs.

Allows easy monitoring of the operation of devices throughout the home.

Allows easy monitoring of the costs generated by the system.

Allows the integration of any number of heating devices, which makes it a perfect room temperature management system in flats and apartments.

SAFETY AND SMART OPTIONS

User safety is ensured by drivers based on temperature control algorithms, and each heating device has a type-specific thermal protection to prevent overheating. The AntiFrost protection function and the (optional) window opening sensor remain active in the background.

The self-learning Early Start function and the three operating modes (Comfort, Balanced and Economic) support the individual preferences of the user. The SMART location function reduces the temperature in each room whenever all the inhabitants leave the house.