



**TERMA**  
SINCE 1990



COLOURS



# VTS TEMPERATURE AND HUMIDITY SENSOR



## THE TERMA SMART WI-FI SYSTEM:

- an innovative interior heating system with a self-learning control algorithm,
- the possibility of creating an individual configuration based on three types of devices and two types of sensors,
- a set of tools facilitating conscious energy management and savings, such as predefined system operation modes, individual schedules or window opening control,
- active adjustment of operating parameters to weather conditions,
- intelligent reduction of the temperature in an empty house and raising it when residents return home;
- possibility of remote control over the system operation via the Internet,
- *Child lock* function (parental control) for all devices,
- no need to install an expensive module for communication between devices.

## FUNCTIONS AND FEATURES

### FUNCTIONALITY

The sensor continuously monitors the temperature and humidity in the room and sends information to all SMART heating devices assigned to one zone with the sensor. The measurement accuracy of the device is half a degree. The sensor readings are displayed in the application as the temperature and humidity of the entire zone.

### DESIGN AND CONSTRUCTION

The small housing of the sensor is suspended on the mounting plate, which enables easy removal of the sensor from the wall. The mounting plate can be fastened with screws or double-sided tape. The set includes power batteries (2xAAA).

### COLOUR

The sensor housing is available in white or Silver Matt.



## DANE TECHNICZNE

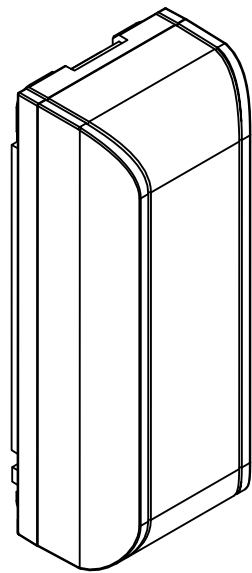
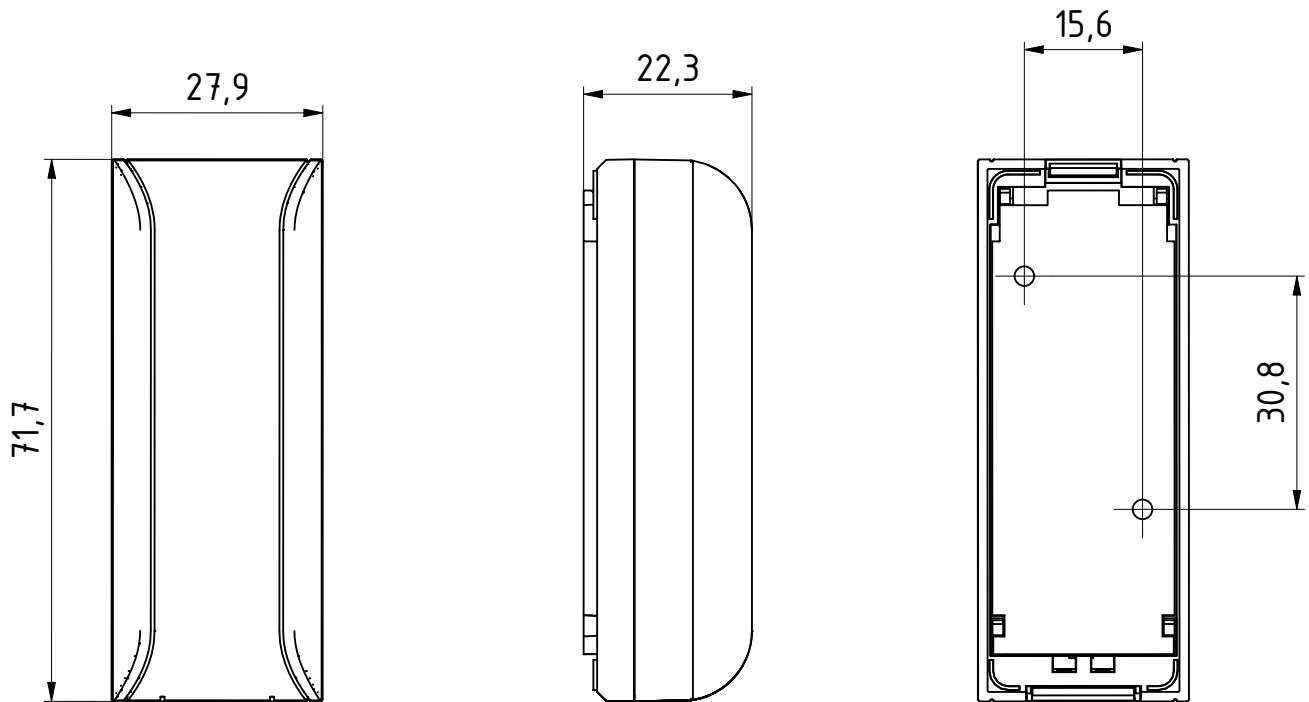
Power supply: battery pack 2x AAA

IP code\*: IP20

Wi-Fi: 2,4 GHz 802.11 b/g/n

\* IP code specifies the degree of protection provided by enclosure

TECHNICAL DRAWING



SPECIFICATION

model	housing colour code	product code	configuration code
VTS	Biały	WIVTS	K916
VTS	Silver Matt	WIVTS	KSMA



# TERMA SMART

## TAILOR-MADE APPLICATION

Allows the comfort of remote management of each Terma Smart wi-fi heating device.

Makes it easier to manage home by dividing it into heating zones and setting separate system operating parameters for each of them.

Provides measurable economic benefits through easy optimization of energy consumption for heating the house.

Helps to maintain high thermal comfort at all times by means of work schedules adjusted to individual needs.

Allows easy monitoring of the operation of devices throughout the home.

Allows easy monitoring of the costs generated by the system.

Allows the integration of any number of heating devices, which makes it a perfect room temperature management system in flats and apartments.

## SAFETY AND SMART OPTIONS

User safety is ensured by drivers based on temperature control algorithms, and each heating device has a type-specific thermal protection to prevent overheating. The AntiFrost protection function and the (optional) window opening sensor remain active in the background.

The self-learning Early Start function and the three operating modes (Comfort, Balanced and Economic) support the individual preferences of the user. The SMART location function reduces the temperature in each room whenever all the inhabitants leave the house.