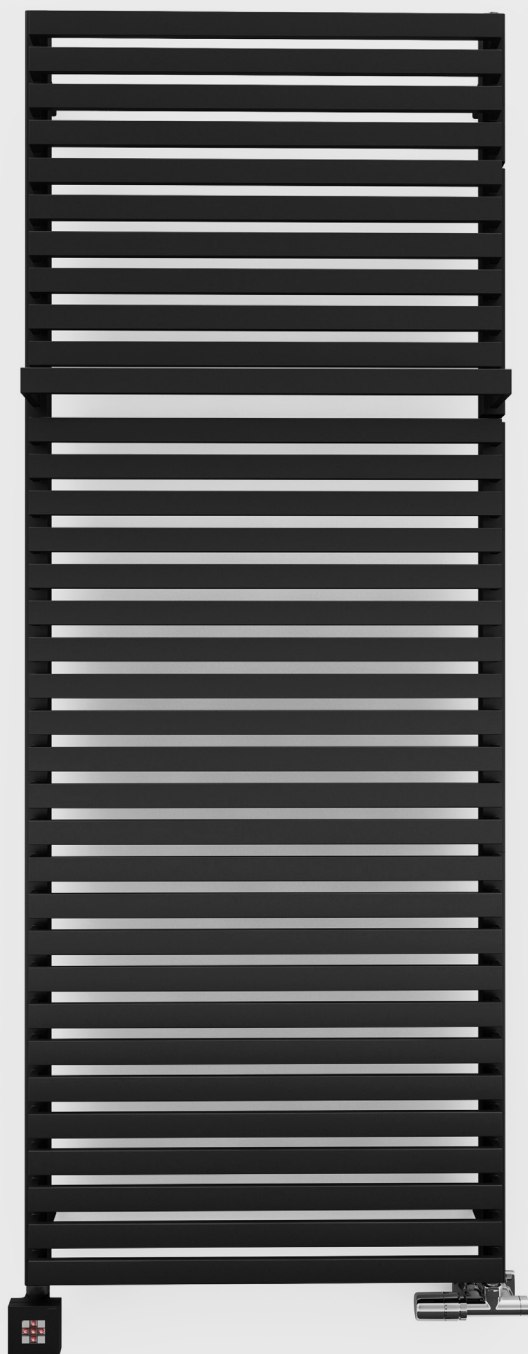




TERMA

SINCE 1990



◀ **Radiator**

City 1590↑ x 600↔ SX,
radiator colour: Soft 9005,
radiator code: WGCIT159060 KS95SX

Valves and accessories

Angled integrated thermostatic valve set
with immersion tube, right, chrome
Integrated pipe-masking set, chrome
KTX 2 heating element

251 COLOURS

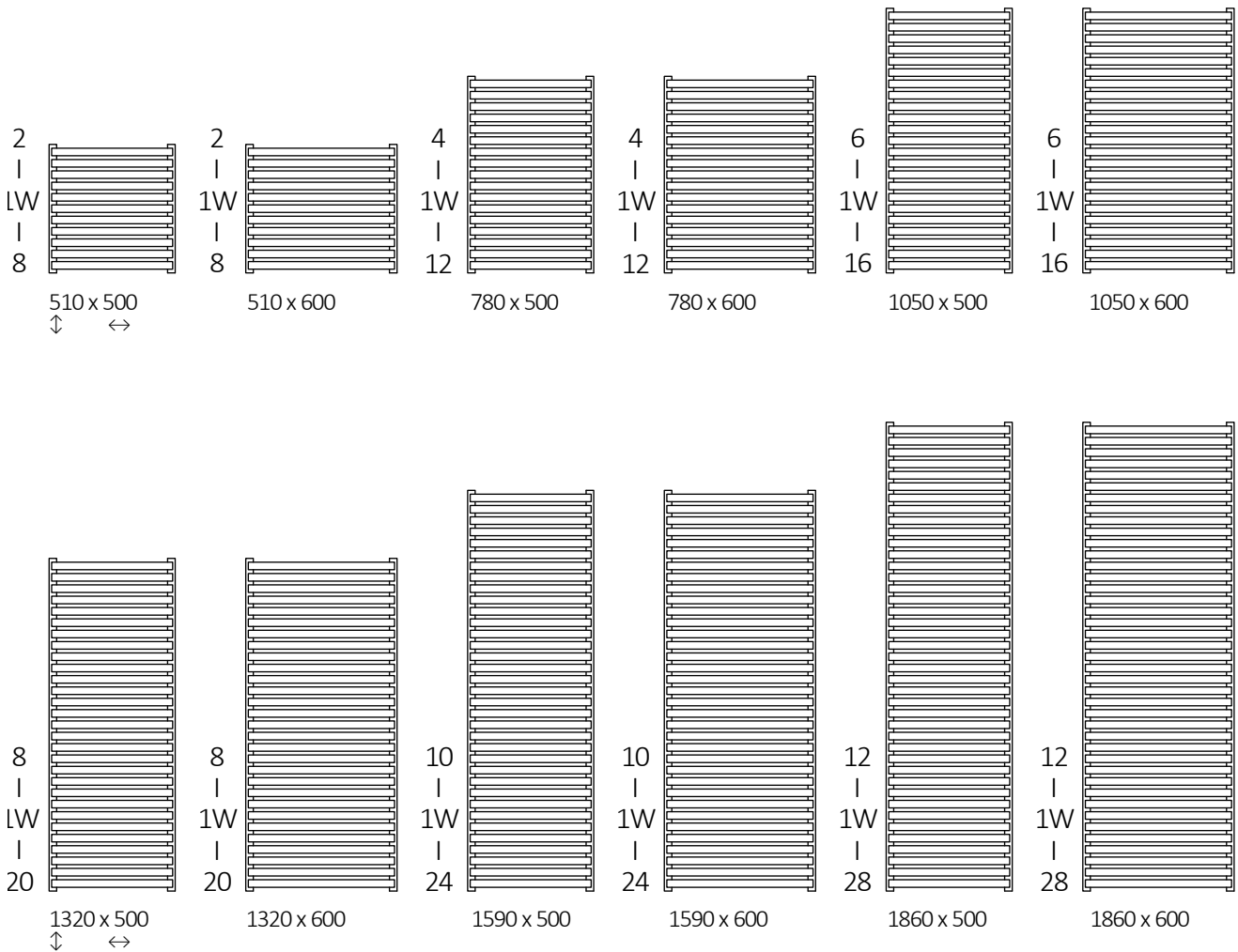


CITY





AVAILABLE SIZES



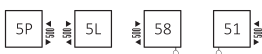
1. RADIATOR


CENTRAL HEATING / DUAL FUEL

Connections:



A \updownarrow 780÷1860:





Height A ⇕ [mm]	Width B ↔ [mm]	Heating power – powder painta			Product code ... Configuration p. 15
		75/65/20°C [W]	55/45/20°C [W]	 [W]	
510	500	304	164	300	WGCIT051050
510	600	362	195	400	WGCIT051060
780	500	455	245	400	WGCIT078050
780	600	541	291	600	WGCIT078060
1050	500	600	323	600	WGCIT105050
1050	600	714	384	800	WGCIT105060
1320	500	739	397	800	WGCIT132050
1320	600	879	473	800	WGCIT132060
1590	500	887	476	800	WGCIT159050
1590	600	1055	566	1000	WGCIT159060
1860	500	1032	553	1000	WGCIT186050
1860	600	1227	657	1200	WGCIT186060

DIMENSIONS AND TECHNICAL INFORMATION

Working pressure: 1000 kPa

Maximum operating temperature: 95°C

Height A ⇕ [mm]	Width B ↔ [mm]	Spacing connection C1 [mm]	Spacing horizontal fasteners D [mm]	Spacing vertical fasteners E [mm]	Bottom fasteners position F [mm]	Capacity  [dm³]	Weight  [kg]
510	500	50	470	330	90	1,82	6,37
510	600	50	570	330	90	2,03	7,31
780	500	50	470	600	90	2,81	9,77
780	600	50	570	600	90	3,13	11,23
1050	500	50	470	870	90	3,79	13,17
1050	600	50	570	870	90	4,23	15,14
1320	500	50	470	1140	90	4,78	16,57
1320	600	50	570	1140	90	5,32	19,08
1590	500	50	470	1410	90	5,66	19,56
1590	600	50	570	1410	90	6,30	22,49
1860	500	50	470	1680	90	6,74	23,45
1860	600	50	570	1680	90	7,52	26,98



ELECTRIC RADIATOR

Connections:



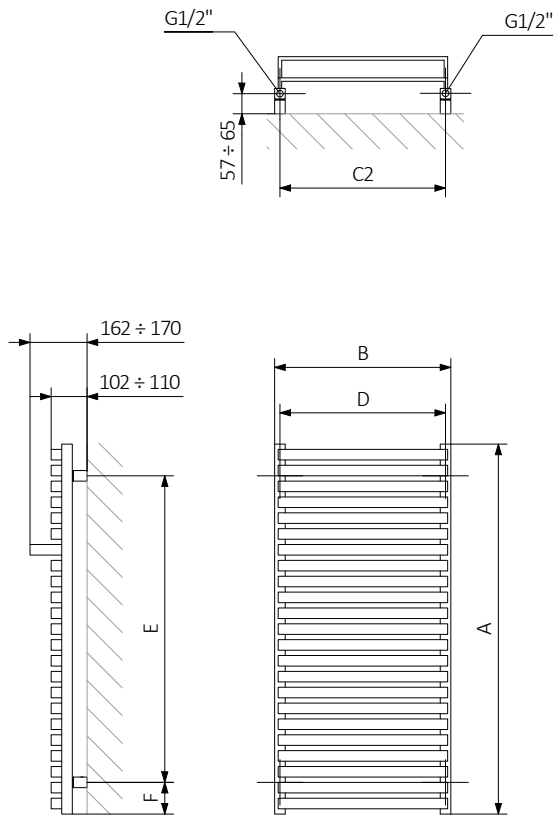
Height A ⇅ [mm]	Width B ⇄ [mm]	Heating power – powder paint [W]	Product code ... Configuration p. 16
510	500	300	WLCIT051050
510	600	400	WLCIT051060
780	500	400	WLCIT078050
780	600	600	WLCIT078060
1050	500	600	WLCIT105050
1050	600	800	WLCIT105060
1320	500	800	WLCIT132050
1320	600	800	WLCIT132060
1590	500	800	WLCIT159050
1590	600	1000	WLCIT159060
1860	500	1000	WLCIT186050
1860	600	1200	WLCIT186060

DIMENSIONS AND TECHNICAL INFORMATION

Height A ⇅ [mm]	Width B ⇄ [mm]	Spacing horizontal fasteners D [mm]	Spacing vertical fasteners E [mm]	Bottom fasteners position F [mm]	Capacity (powder paint)  [dm³]	Weight (powder paint)  [kg]
510	500	470	330	90	1,82	8,06
510	600	570	330	90	2,03	9,21
780	500	470	600	90	2,81	12,40
780	600	570	600	90	3,13	14,17
1050	500	470	870	90	3,79	16,71
1050	600	570	870	90	4,23	19,12
1320	500	470	1140	90	4,78	21,04
1320	600	570	1140	90	5,32	24,07
1590	500	470	1410	90	5,66	24,84
1590	600	570	1410	90	6,30	28,40
1860	500	470	1680	90	6,74	29,75
1860	600	570	1680	90	7,52	34,04

TECHNICAL DRAWING

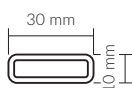
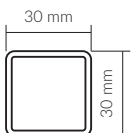
SX



A – Height B – Width C1-C5 – Distance between pipe centres D – Horizontal distance between mounting bracket centres E – Vertical distance between mounting brackets F – Distance between a mounting bracket and the bottom of the radiator

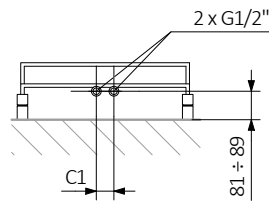
Collector:

Pipe:

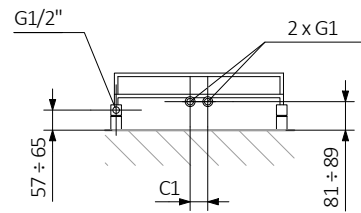


TECHNICAL DRAWING

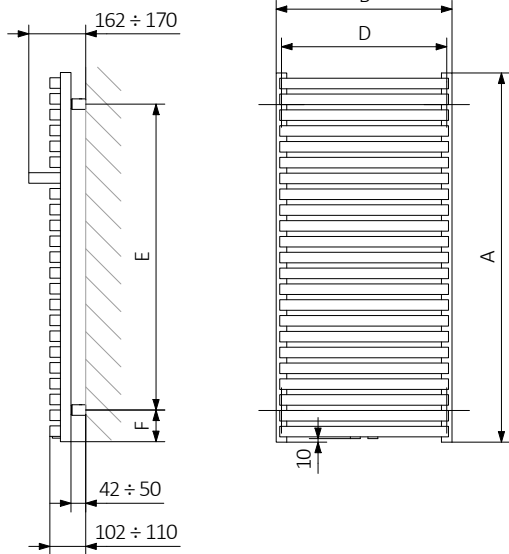
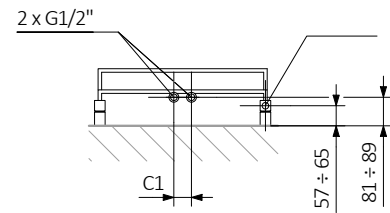
ZX



Z1



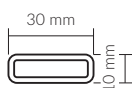
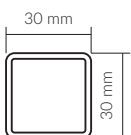
Z8



A – Height B – Width C1-C5 – Distance between pipe centres D – Horizontal distance between mounting bracket centres E – Vertical distance between mounting brackets F – Distance between a mounting bracket and the bottom of the radiator

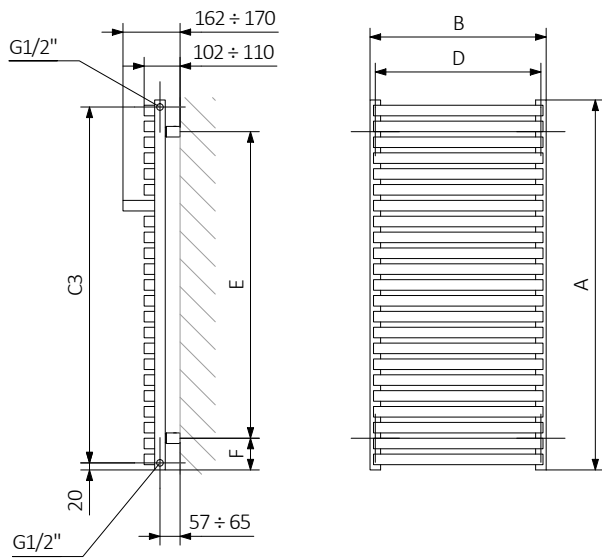
Collector:

Pipe:



TECHNICAL DRAWING

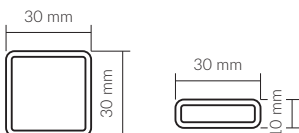
PX



A – Height B – Width C1-C5 – Distance between pipe centres D – Horizontal distance between mounting bracket centres E – Vertical distance between mounting brackets F – Distance between a mounting bracket and the bottom of the radiator

Collector:

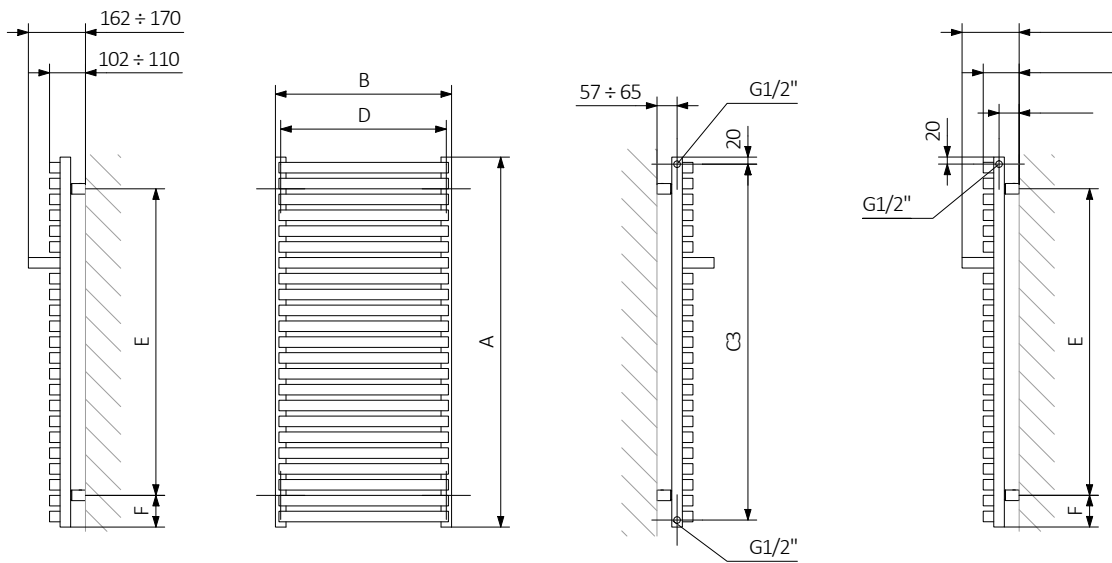
Pipe:



TECHNICAL DRAWING

LX

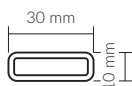
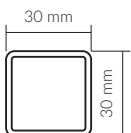
L6



A – Height B – Width C1-C5 – Distance between pipe centres D – Horizontal distance between mounting bracket centres E – Vertical distance between mounting brackets F – Distance between a mounting bracket and the bottom of the radiator

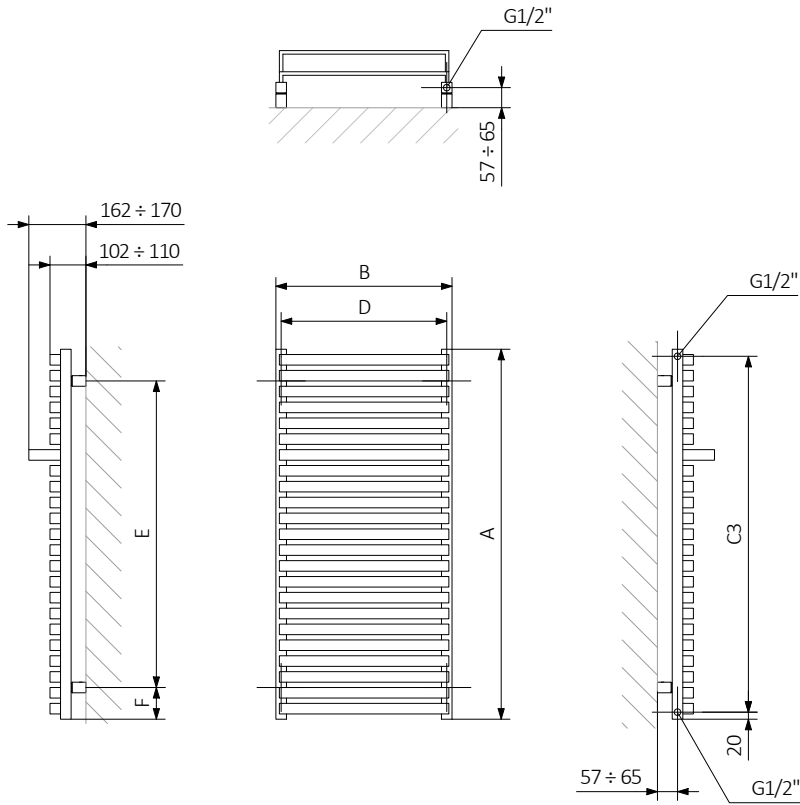
Collector:

Pipe:



TECHNICAL DRAWING

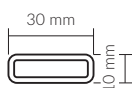
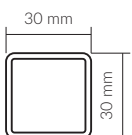
L8



A – Height B – Width C1-C5 – Distance between pipe centres D – Horizontal distance between mounting bracket centres E – Vertical distance between mounting brackets F – Distance between a mounting bracket and the bottom of the radiator

Collector:

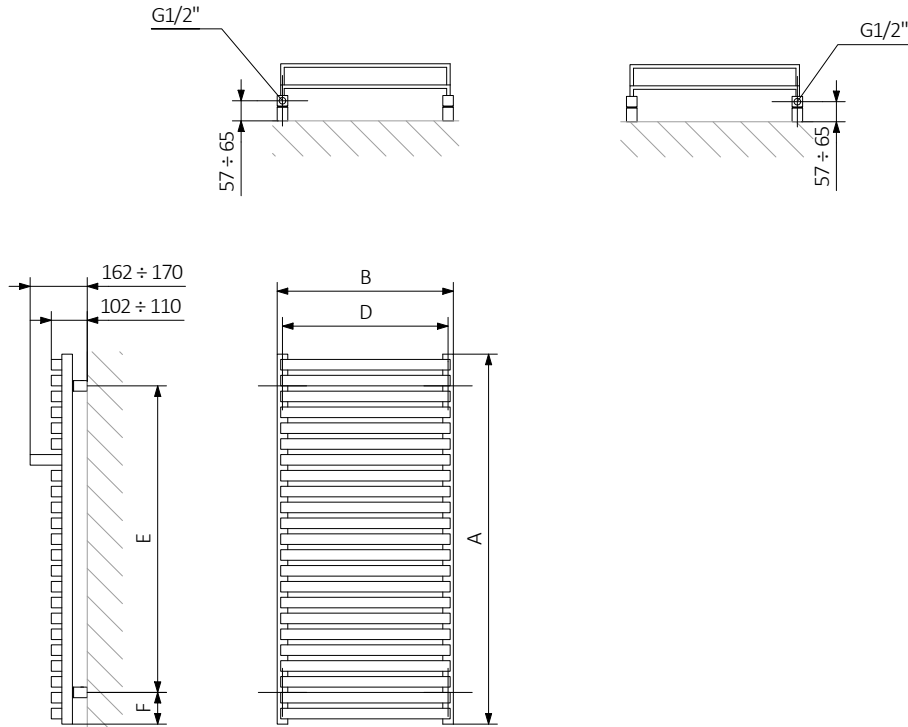
Pipe:



TECHNICAL DRAWING

O1

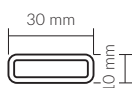
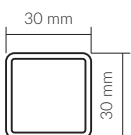
O8



A – Height B – Width C1-C5 – Distance between pipe centres D – Horizontal distance between mounting bracket centres E – Vertical distance between mounting brackets F – Distance between a mounting bracket and the bottom of the radiator

Collector:

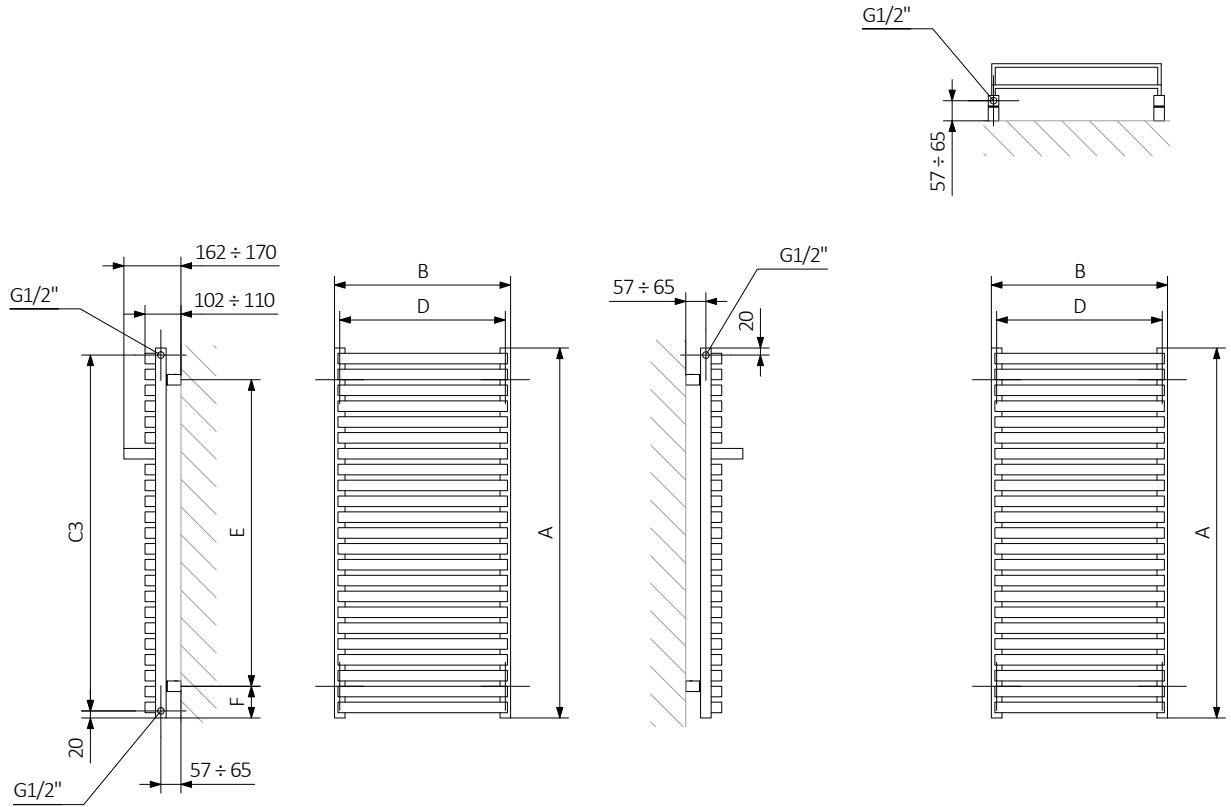
Pipe:



TECHNICAL DRAWING

P3

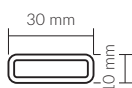
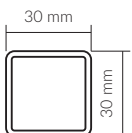
P1



A – Height B – Width C1-C5 – Distance between pipe centres D – Horizontal distance between mounting bracket centres E – Vertical distance between mounting brackets F – Distance between a mounting bracket and the bottom of the radiator

Collector:

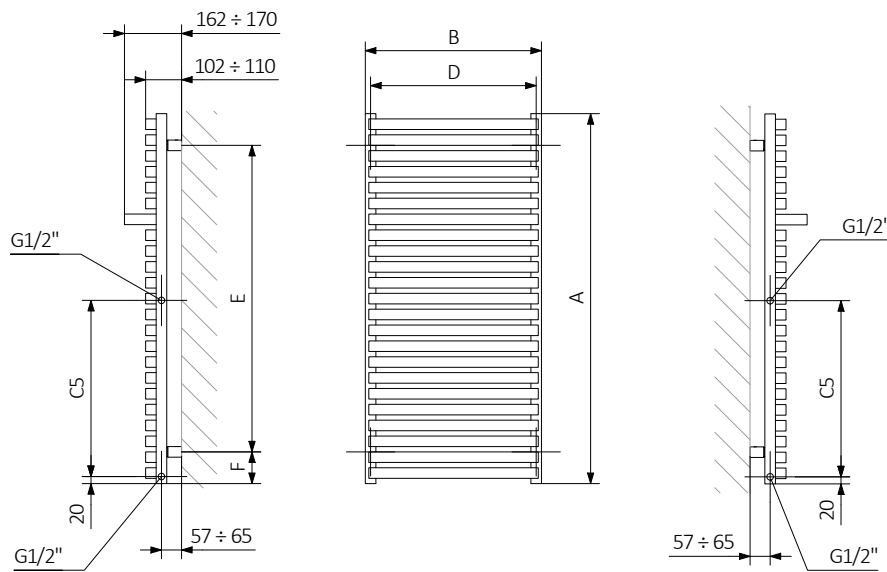
Pipe:



TECHNICAL DRAWING

5P

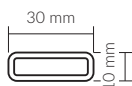
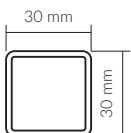
5L



A – Height B – Width C1-C5 – Distance between pipe centres D – Horizontal distance between mounting bracket centres E – Vertical distance between mounting brackets F – Distance between a mounting bracket and the bottom of the radiator

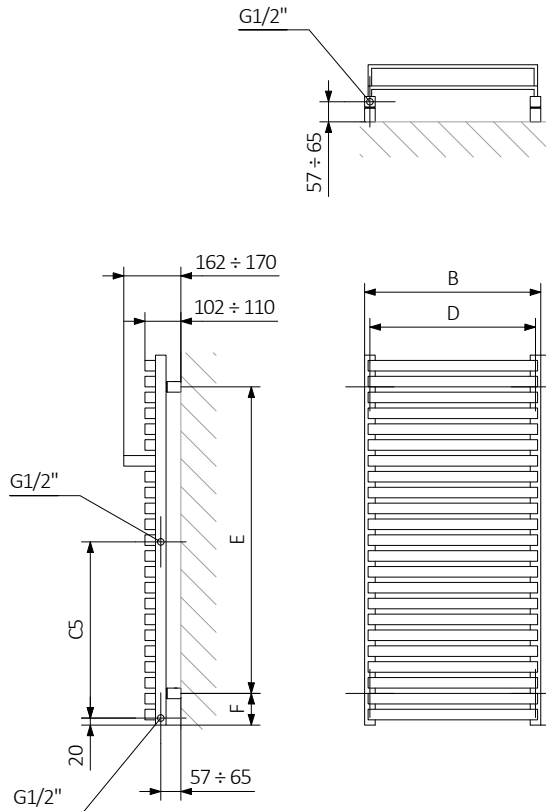
Collector:

Pipe:

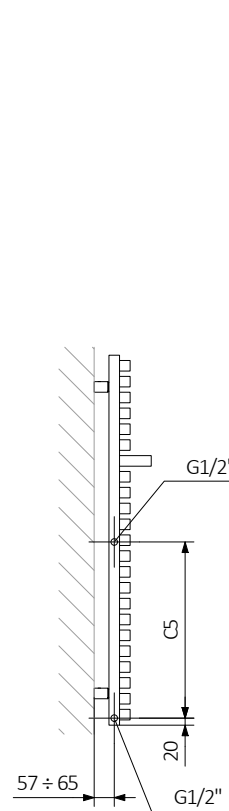


TECHNICAL DRAWING

51

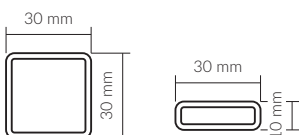


58



A – Height B – Width C1-C5 – Distance between pipe centres D – Horizontal distance between mounting bracket centres E – Vertical distance between mounting brackets F – Distance between a mounting bracket and the bottom of the radiator

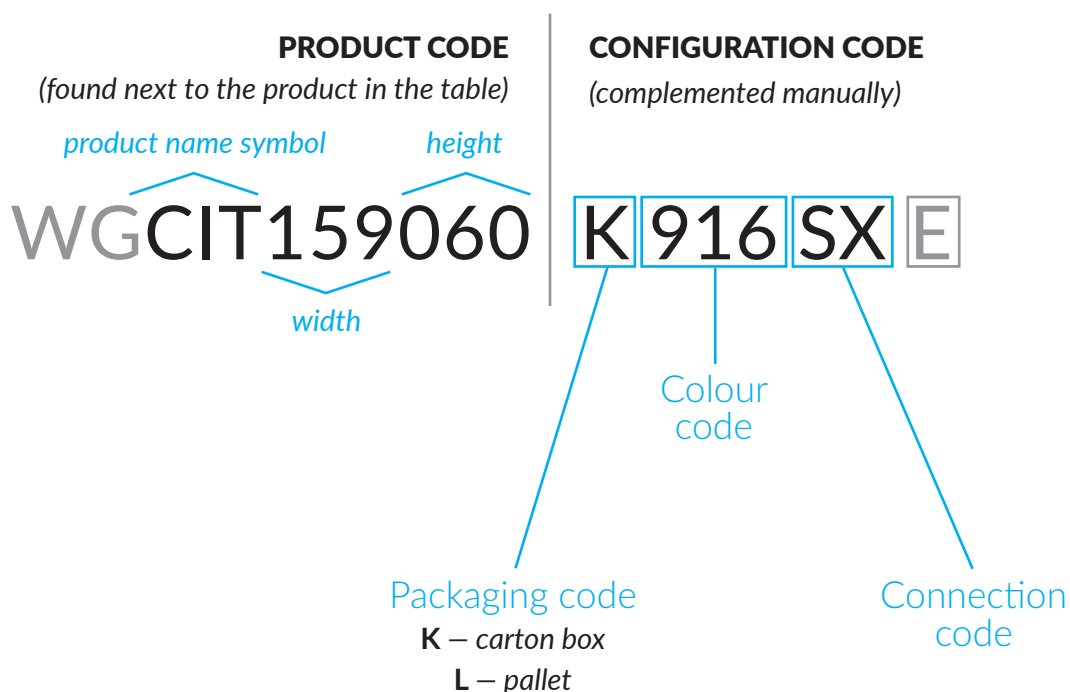
Collector: **Pipe:**



CONFIGURATION CODE FOR A TOWEL RAIL OR RADIATOR ("WG" PRODUCT GROUP)

Product codes can be found in the product tables in both the catalogue and the price list. They provide basic information about the product and the configuration code contains information that complements the specification. When placing an order, the product codes should contain the fully completed configuration part. Part of the configuration code should be placed after the main product code as shown in the example below:

CODE DETAILS:



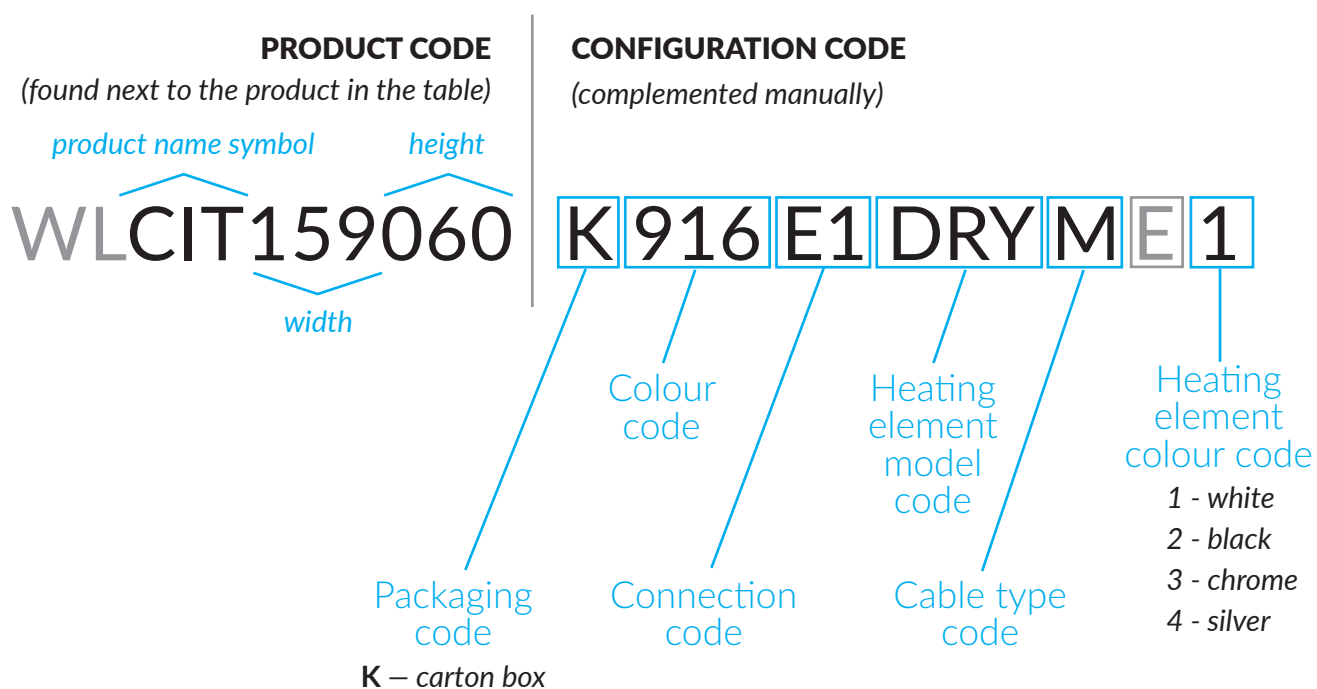
WG – water or dual fuel, central heating towel rail or radiator

E – the epoxy primer (additional coating increases the corrosion resistance of the product).

A CONFIGURATION CODE FOR AN ELECTRIC TOWEL RAIL OR RADIATOR FILLED WITH OIL AND FITTED WITH A HEATING ELEMENT (PRODUCT GROUP "WL")

Product codes can be found in the product tables in both the catalogue and the price list. They provide basic information about the product, and the configuration code contains information that complements the specification. When placing an order, the product codes should contain the fully completed configuration part. Part of the configuration code should be placed after the main product code as shown in the example below:

CODE DETAILS:



WL – electric towel rail or radiator filled with Oil and fitted with a factory installed heating element

E – the epoxy primer (additional coating increases the corrosion resistance of the product). The extra charge for the epoxy coating is 150 PLN net. In case you don't want the epoxy coating, the "E" should be replaced with an "X".

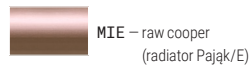
SPECIAL COLOR PALETTE

KOD – colour name
*RAL colour palette

CHROME



COPPER



SPECIAL COATINGS



RAL COLOR PALETTE
