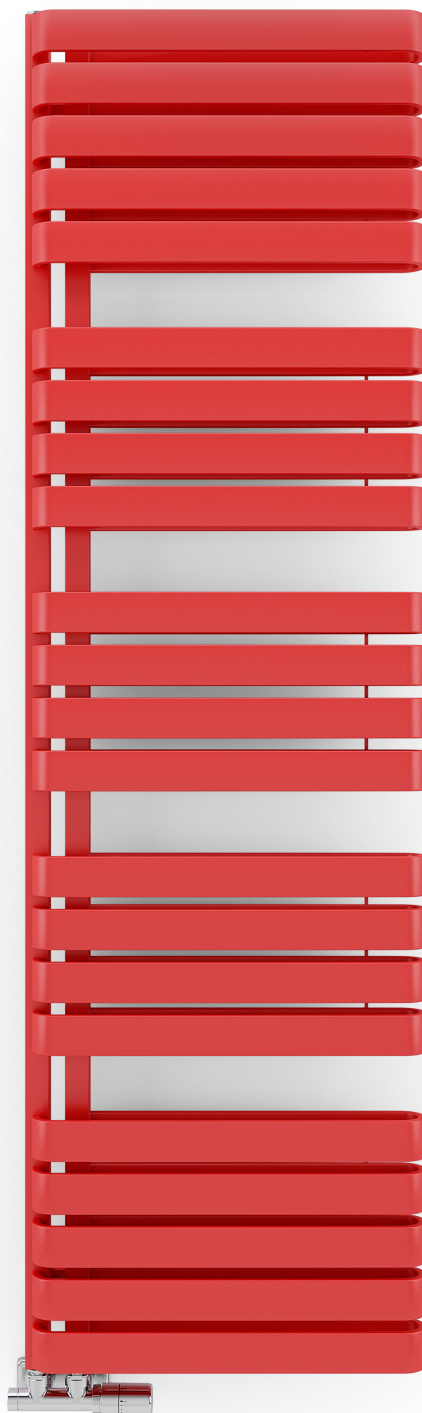


# Warp S



**Warp S** 1695↓ × 500↔ GD  
colour: Soft 3028

Integrated thermostatic valve, angled, left, chrome  
SLIM thermostatic head, chrome  
Integrated pipe-masking set, chrome



**TERMA**  
SINCE 1990



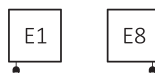
## Standard connection:

A  $\updownarrow$  655÷1695:

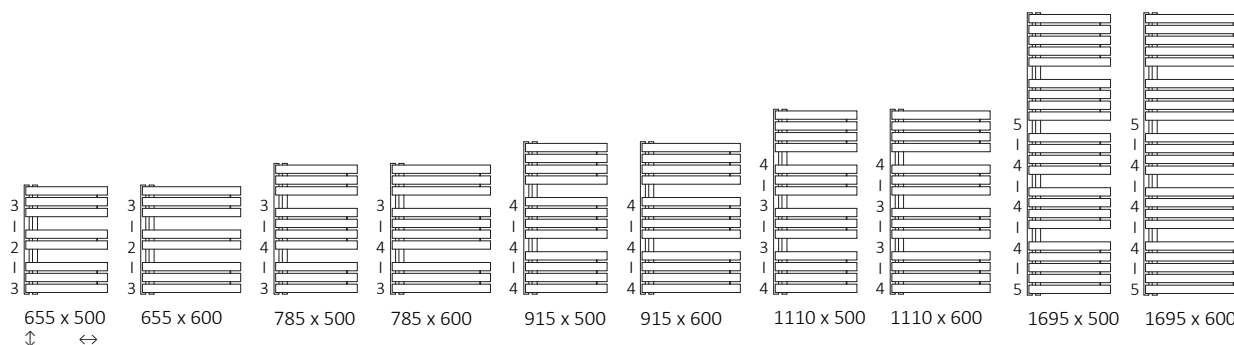


Electric radiators:

A  $\updownarrow$  915÷1695:



## Available sizes:



Water heater available in sizes A  $\updownarrow$  655÷1695. Electric heater available in sizes A  $\updownarrow$  915÷1695:

## Water heaters – specification:

Working pressure: 600 kPa    Maximum operating temperature: 95°C

A $\updownarrow$ [mm]	B $\leftrightarrow$ [mm]	C1 [mm]	75/65/20°C [W]	55/45/20°C [W]	 [W]	D [mm]	E [mm]	F [mm]	 [dm³]	 [kg]	Kod produktu <small>Kody konfiguracji s. 5</small>
655	500	50	450	241	400	50	455	100	3,45	12,39	WGWAS065050
655	600	50	506	271	600	50	455	100	3,98	14,56	WGWAS065060
785	500	50	551	297	600	50	585	100	4,27	15,30	WGWAS078060
785	600	50	653	351	600	50	585	100	4,93	18,01	WGWAS078060
915	500	50	643	346	600	50	715	100	5,09	18,21	WGWAS091060
915	600	50	761	408	800	50	715	100	5,87	21,47	WGWAS091060
1110	500	50	764	406	800	50	910	100	5,99	21,30	WGWAS111050
1110	600	50	857	456	800	50	910	100	6,91	25,10	WGWAS111060
1695	500	50	1167	620	1200	50	1495	100	9,34	33,11	WGWAS169050
1695	600	50	1310	696	1200	50	1495	100	10,79	39,07	WGWAS169060

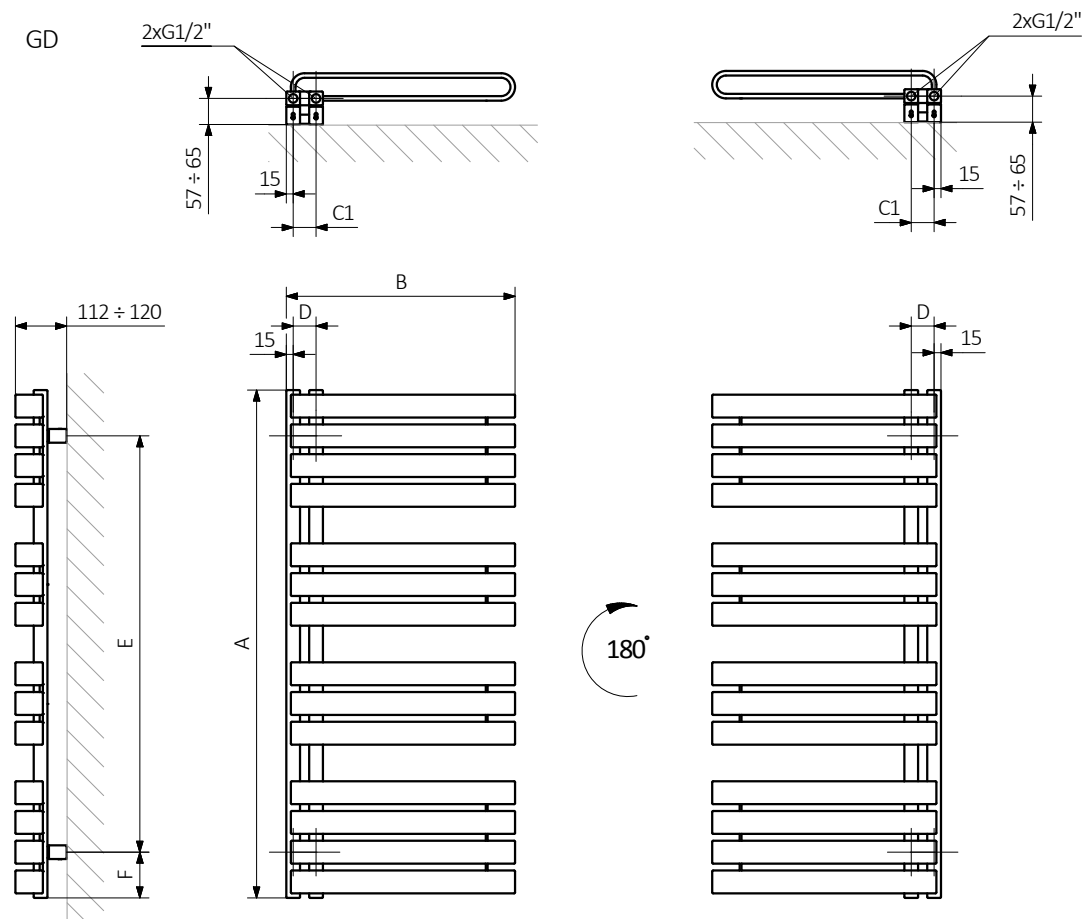
## Electric heaters – specification:

A $\updownarrow$ [mm]	B $\leftrightarrow$ [mm]	 [W]	D [mm]	E [mm]	F [mm]	 [dm³]	 [kg]	Kod produktu <small>Kody konfiguracji s. 5</small>
915	500	600	50	715	100	5,09	22,33	WLWAS091050
915	600	800	50	715	100	5,87	26,22	WLWAS091060
1110	500	800	50	910	100	5,99	26,15	WLWAS111050
1110	600	800	50	910	100	6,91	30,70	WLWAS111060
1695	500	1200	50	1495	100	9,34	40,68	WLWAS169050
1695	600	1200	50	1495	100	10,79	47,81	WLWAS169060

# Warp S



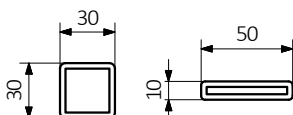
## Technical drawing:



A – Height    B – Width    C1-C5 – Distance between pipe centres    D – Horizontal distance between mounting bracket centres  
 E – Vertical distance between mounting brackets    F – Distance between a mounting bracket and the bottom of the radiator

**Collector:**

**Pipe:**





In the table with technical data, the last column lists product codes. When placing an order, please remember to quote the product code followed by the configuration code as shown in the diagram below:

## The construction of a water and dual fuel radiator product and configuration code:

WGWAS065050

PRODUCT CODE  
(located in the table for the product)

K916GDE

CONFIGURATION CODE  
(supplemented by hand)

### Example Configuration

**K** **916** **GD** **E**

Package code  
K - carton box

Colour code

Connection code

## Construction of electric heater configuration code:

WLWAS065050

PRODUCT CODE  
(located in the table for the product)

K916E1DRYWE1

CONFIGURATION CODE  
(supplemented by hand)

### Example Configuration

**K** **916** **E1** **DRY** **W** **E** **1**

Package code  
K - carton box

Colour code

Connection code

Heating element code

Type of heating  
element cable code

Heater color code  
1 - white, 2 - black, 3 - chrome  
4 - silver

## Epoxy primer

**E** - Code of epoxy primer is an extra processes.

WGWAS065050 K916GD **E** — Extra processes or additions code

# Warp S



## Legend



Radiator available in a "water" version.



Radiator suitable for dual fuel connection. Electric heating element can be installed.



Radiator available in electric only version. It comes prefilled with a 'heating medium' and equipped with a heating element. All tested and ready to use.



Connection types dedicated for this radiator. The icon shows the flow and return connections for the radiator as well as the thermostatic valve and heating element position if applicable.



Suggested heating element power output for electric and dual fuel versions.



Weight.



Capacity.



Available in chrome finish.



No additional payment for a color.