

# Perta



colour included  
in the price



**Perta** 1360↓ × 500↔ ZX  
colour: RAL 3020

2 x Angled lockshield valve, chrome  
SLIM thermostatic head, chrome  
Integrated pipe-masking set, chrome



**TERMA**  
SINCE 1990





colour included  
in the price

Design: Terma

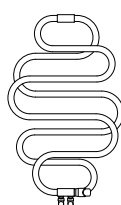
## Standard connection:



## Available sizes:



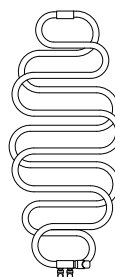
960 x 500  
↓ ↔



960 x 600



1360 x 500



1360 x 600



1760 x 500



1760 x 600

## Specification:

Working pressure: 1000 kPa Maximum operating temperature: 95°C

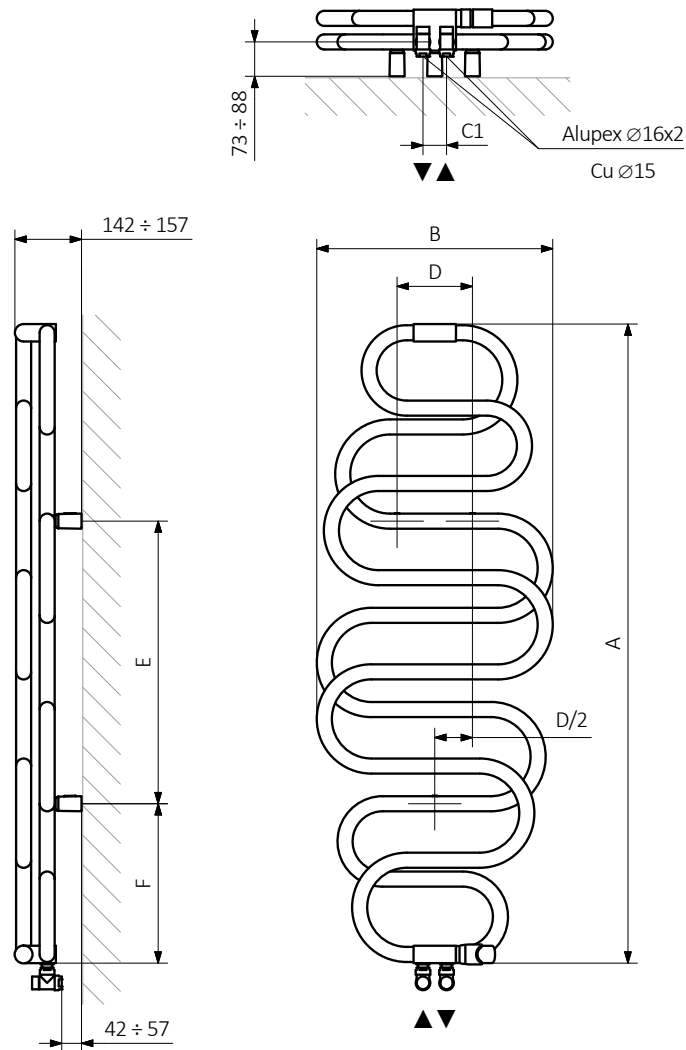
A ↓ [mm]	B ↔ [mm]	C1 [mm]	75/65/20°C [W]	55/45/20°C [W]	D [mm]	E [mm]	F [mm]	U [dm <sup>3</sup> ]	W [kg]	Product code <small>Configuration code p. 5</small>
<b>Paint</b>										
960	500	50	337	178	200	360	180	3,16	12,01	WGPER096050
960	600	50	371	198	230	360	180	3,47	12,73	WGPER096060
1360	500	50	478	253	160	600	340	4,41	13,46	WGPER136050
1360	600	50	528	282	220	600	340	4,88	14,62	WGPER136060
1760	500	50	630	334	200	600	540	5,75	16,78	WGPER176050
1760	600	50	704	377	290	600	540	6,45	18,52	WGPER176060
<b>Plated</b>										
960	500	50	229	119	200	360	180	3,16	11,80	WGPER096050
960	600	50	252	134	230	360	180	3,47	12,50	WGPER096060
1360	500	50	325	168	160	600	340	4,41	13,17	WGPER136050
1360	600	50	359	190	220	600	340	4,88	14,29	WGPER136060
1760	500	50	419	218	200	600	540	5,75	16,40	WGPER176050
1760	600	50	488	260	290	600	540	6,45	18,09	WGPER176060



colour included  
in the price

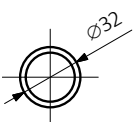
## Technical drawing:

ZX



A – Height B – Width C1-C5 – Distance between pipe centres D – Horizontal distance between mounting bracket centres  
E – Vertical distance between mounting brackets F – Distance between a mounting bracket and the bottom of the radiator

Pipe:





colour included  
in the price

In the table with technical data, the last column lists product codes. When placing an order, please remember to quote the product code followed by the configuration code as shown in the diagram below:

## The construction of a water and dual fuel radiator product and configuration code:

WGPER096050

K916ZX

PRODUCT CODE

(located in the table for the product)

CONFIGURATION CODE

(supplemented by hand)

### Example Configuration

K 916 ZX

Package code

*K - carton box*

Colour code

Connection code

## Epoxy primer

**E** - Code of epoxy primer is an extra processes.

WGPER096050 K916ZX **E** — *Extra processes or additions code*



colour included  
in the price

## Legend



Radiator available in a "water" version.



Radiator suitable for dual fuel connection. Electric heating element can be installed.



Radiator available in electric only version. It comes prefilled with a 'heating medium' and equipped with a heating element. All tested and ready to use.



Connection types dedicated for this radiator. The icon shows the flow and return connections for the radiator as well as the thermostatic valve and heating element position if applicable.



Suggested heating element power output for electric and dual fuel versions.



Weight.



Capacity.



Available in chrome finish.



colour  
included  
in the price

No additional payment for a color.