

# Nouveau - Shelf Mirror

Product Fact Sheet



**ex.t**

[info@ex-t.com](mailto:info@ex-t.com) / [ex-t.com](http://ex-t.com)

# Nouveau - Shelf Mirror right



## Design By

Bernhardt & Vella

## Code

EXNOUSPOVAL/BR  
EXNOUSPOVAL/OT  
EXNOUSPOVAL/NE

## Category

Mirrors

## Module Dimensions

55 x 12 x h 100 cm

## Materials

Frosted glass, Brass, Bronze, Black

## Colours

● Black - RAL 9004

● Brass

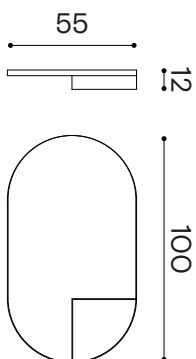
● Bronze

## Weight

12,3 Kg

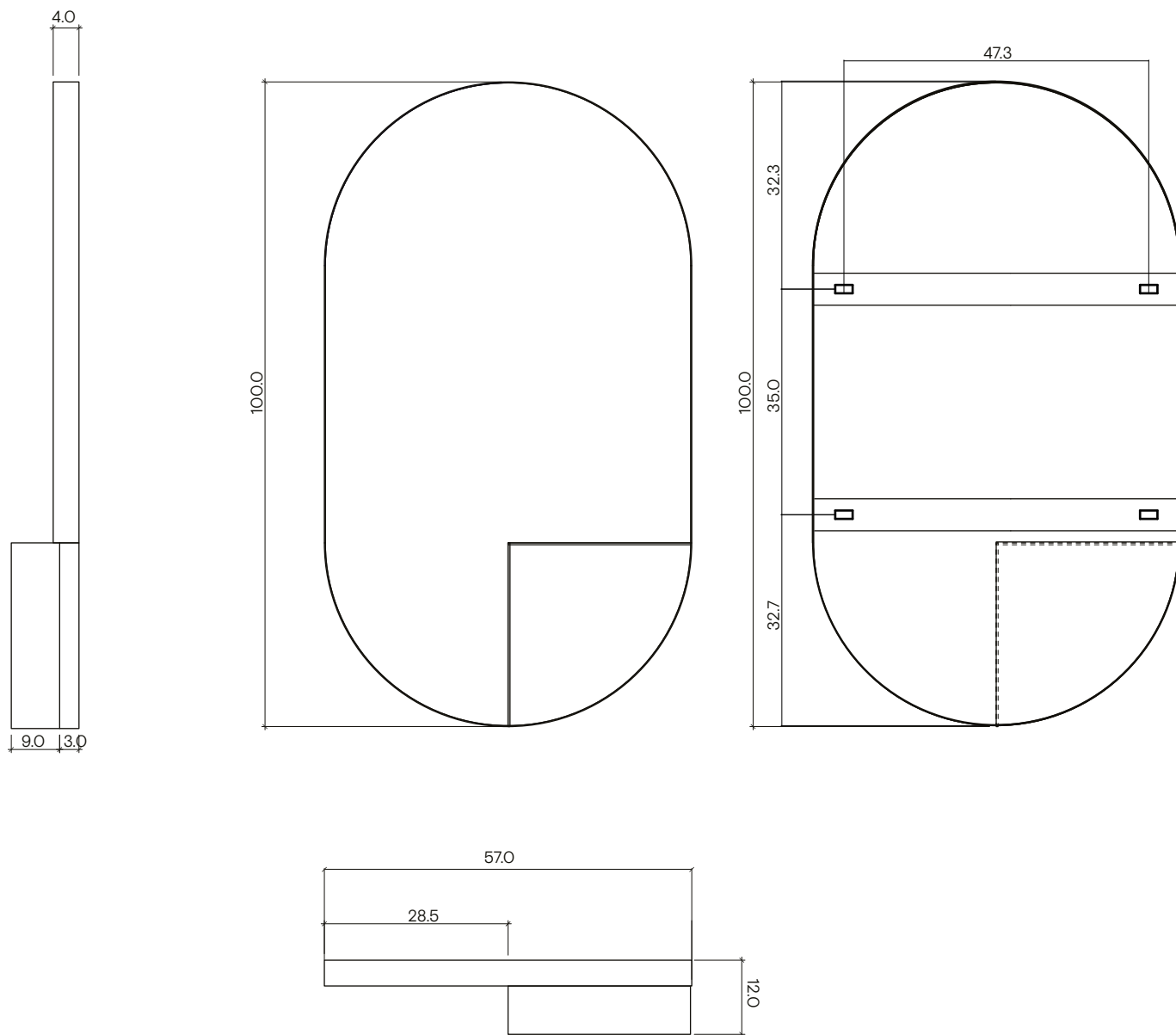
## Packaging Dimensions

69 x 21 x h 111,5 cm ; 17,1 Kg



# Nouveau - Shelf Mirror right

Scale 1:20



# Nouveau - Shelf Mirror left



## Design By

Bernhardt & Vella

## Code

EXNOUSPOVALSX/BR  
EXNOUSPOVALSX/OT  
EXNOUSPOVALSX/NE

## Category

Mirrors

## Module Dimensions

55 x 12 x h 100 cm

## Materials

Frosted glass, Brass, Bronze, Black

## Colours

● Black - RAL 9004

● Brass

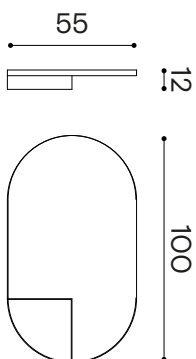
● Bronze

## Weight

-

## Packaging Dimensions

-



# Nouveau - Shelf Mirror left

Scale 1:20

