

Designed and manufactured
by Fresh in Sweden



MANUAL

INTELLIVENT® CELSIUS

EN

DE

FR

NL

ES

IT



Thank you for choosing this product from Fresh.
Before installing and using the fan, read through this manual /
these instruction for use.
Then keep it in a safe place so that you can use it for future
reference.

Safety information!

Children aged 8 and above as well as persons with reduced physical, sensory or mental capacity or who do not have the necessary experience or know-how may use this equipment if they are supervised or given sufficient instruction in how to use the equipment safely and have understood the risks involved. Children must not play with this equipment. Cleaning and maintenance must not be performed by unsupervised children.

4 Description of functions

5 Installation guide

- 1 Contents
- 2 Installation
- 3 Connection
- 4 Connecting a pull cord switch
- 5 Factory setting
- 6 Setting the fan

9 Functional description

10 Advanced functions

- Activation of constant operation
- Calibration of thermostat
- Calibration of the difference between the cut-in and cut-off temperature (hysteresis)

12 LED indicators

13 Maintenance

15 Warranty

15 Recycling

16 Accessories

17 Technical data

18 Troubleshooting guide

Description of functions

- **Thermostat**

Fresh Celsius is equipped with a built-in thermostat which means that the fan starts when the temperature reaches the set value.

- **Speed control**

The integral speed control allows you to adjust the noise level and capacity to meet your needs.

- **Continuous operation**

Leave the fan running continuously if you need air circulation in the home.

- **Pause function**

The fan can be paused for one hour using the power cord.

- **Multi-pole switch**

The fan is fitted with an approved multi-pole switch, which means that an external switch is not required.

- **LED indicators**

An LED indicates which mode the fan is in at any one time.

- **12-volt motor**

The motor is a long-life motor, with a life span of approx. 60,000 hours. This type of motor also runs silently.

A more detailed functional description appears on page 9.

Installation guide

1 Contents

The packaging should contain the following:

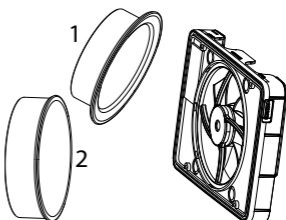
- Fan
- 2 adapters, 1 x $\text{Ø}98$ mm and 1 x $\text{Ø}118$ mm
- Manual
- Accessory bag with 4 screws and plugs, a pull cord with toggle, and insulation for the standard cable type (FK)

EN

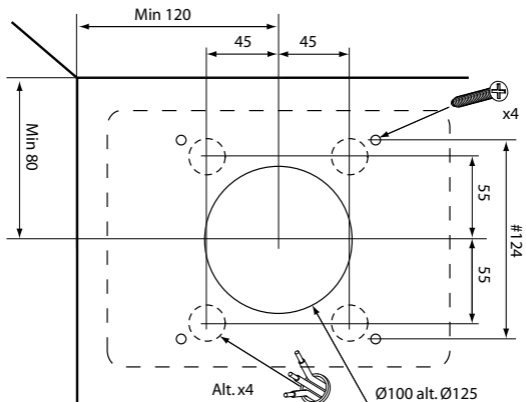
2 Installation

The fan can be installed on a wall or on a ceiling. See the diagram below for installation dimensions. The fan must not be installed in an environment where the temperature exceeds 50°C . Attach an appropriate adapter to the fan's chassis, $\text{Ø}98$ (1) for a $\text{Ø}100$ duct or $\text{Ø}118$ (2) for a $\text{Ø}125$ duct.

The fan can also be installed and used without an adapter, so that it is mounted completely on the surface, e.g. in the case of ducts less than $\text{Ø}98$.



When installing the fan, check that there is a seal between the pipe/duct and wall/ceiling to prevent air from penetrating the wall or ceiling. Use the accompanying screw and plug, if necessary.



3 Wiring

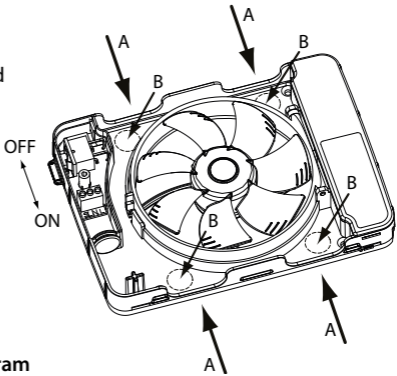
- Installation work should be performed by a qualified electrician.
- The fan is double insulated and must not be earthed.
- The fan is fitted with an approved multi-pole switch and does not require a pre-wired external switch.

1 Push the safety switch up to position 0 - OFF.

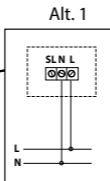
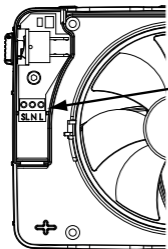
2 The cable can be installed either along the surface using entries A in the chassis or concealed using entries B in the chassis. Both options are shown below. Use the insulating sleeve supplied for the cable (FK).

3 If you use any of the B inlets, remove the concealed round plastic cover by tapping inside the break-off notch from the inside out to the back with a screwdriver, for example.

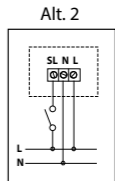
Cable entries
A = surface
B = concealed



Wiring diagram



Alt. 1 Standard
Alt. 2 for forcing (see page 11)

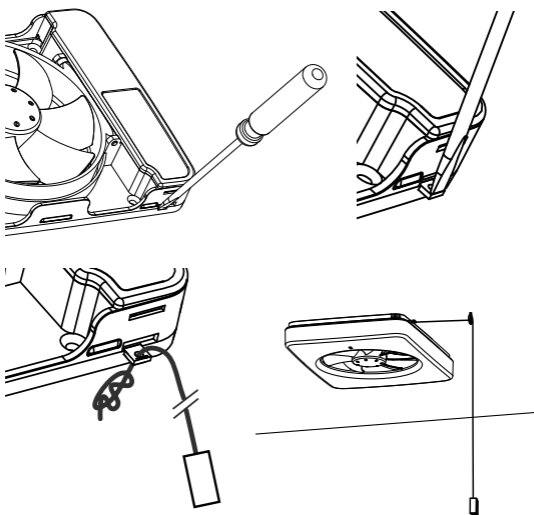


4 Connecting the pull cord switch

If desired, a pull cord can be installed for activating the pause function and to help calibrate the fan.

Remove the mounting plate using a screwdriver, for example, and thread the accompanying pull cord through the hole.

EN



- Once installation is complete, push the safety switch down to position I – ON, to make the fan active again.

When the fan is connected to the power supply, it performs a self-test where electronics, LEDs and operation of the motor are all tested.

The fan is now ready for use.

5 Factory setting

- temperature – 26°C
- speed – step 5 (70% of max)
- constant operation – off

Re-setting to factory settings

Keep the SPEED minus key pressed in for at least five seconds.

6 Setting the fan

You can use the control panel to quickly and easily set those parameters you require:

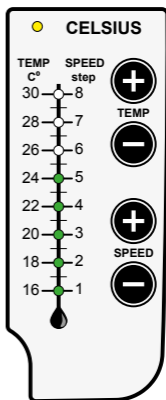
1. Starting temperature.

Set the desired starting temperature using the plus and minus TEMP keys

2. Speed

Set the desired speed using the plus and minus keys (SPEED).

The fan is now ready for use. For more advanced settings, go to page 10.



Functional description

Heat transfer / thermostat

The Celsius is fitted with an integrated electronic thermostat. This starts the fan when the temperature exceeds the preset value. The fan can easily be adjusted to start between 16 and 30°C. The factory setting for the starting point is approx. 26°C. The starting point is adjusted using the plus and minus keys (TEMP) on the control panel.

The start value is indicated by the LED lamps on the thermometer scale. When the thermostat activates the fan, the yellow indicator lamp lights up.

Before the starting point is adjusted, the fan must be connected for at least 30 minutes. This is in order for the fan's electrics to reach operating temperature.

RPM settings

The fan speed can be set to anything from 50% up to maximum speed. The plus and minus keys (SPEED) on the control panel are used to set the preferred speed.

The speed is indicated by a column of LED lamps labelled with a scale from 1 to 8. If you adjust the speed down to zero (no lamp is lit), the fan stops.

Constant operation

The Celsius also has a constant operation function.

The fan runs continuously at a preset speed.

The yellow indicator lamp does not light up during constant operation. It is first lit when the thermostat is activated, the fan then reaches the speed set for heat transfer.

Pause function

The pause function means that the fan stops (whichever mode it is in) and remains inactive for one hour. The pause function is activated by pulling the power cord; after one hour the fan resumes operation. During this time the yellow indicator lamp flashes. The pause function can be cancelled by pulling the cord a second time.

Advanced functions

Activation of constant operation

- Pull the power switch mechanism once
 - the yellow indicator lamp flashes.
- Set the desired speed using the plus and minus keys (SPEED).
- Pull the power switch mechanism
 - yellow indicator lamp stops flashing.

The fan now runs constantly even when the fan's thermostat function is not activated. This means that the fan can operate at two individual speeds at constant operation or thermostat operation if desired.

Switching off constant operation

- Pull the power switch mechanism once
 - the yellow indicator lamp flashes.
- Press the minus key (SPEED) until no green indicator lamps are lit – the fan stops.
- Pull the power switch mechanism
 - yellow indicator lamp stops flashing.

Calibration of thermostat

There may occasionally be a need to calibrate the thermostat. The fan must be connected for at least 30 minutes beforehand in order for the electronics to reach their operating temperature.

- Press in one of the plus or minus (TEMP) buttons.
- Then pull the power switch mechanism once
- Release the button – the yellow indicator lamp flashes slowly

You are now in programming mode

Use the TEMP +/- buttons to adjust the temperature to the room/desired level.

The temperature is indicated by one or two indicator lamps. Even degrees are displayed with one lamp on the temperature scale and uneven degrees with two lamps, one above and one below the desired level. Pull the power switch mechanism again and the yellow indicator lamp stops flashing. Calibration is now complete.

Calibration of the difference between the cut-in and cut-off temperature (hysteresis)

It may occasionally be necessary to adjust the difference between the cut-in and cut-off temperature (hysteresis).

The default value is 1.5°C.

- Press in one of the plus or minus (SPEED) buttons.
- Then pull the power switch mechanism once
- Release the button – the yellow indicator lamp flashes quickly

You are now in programming mode

Now use the SPEED +/- buttons to adjust the temperature difference to the desired level.

The temperature is indicated by one or two indicator lamps. Whole degrees are displayed with one lamp on the speed scale and half degrees with two lamps, one above and one below the desired level. Each step adjusts the hysteresis by half a degree.

For example, if a difference of 2.5°C is desired, the temperature is increased until the indicator lamp 2 and 3 is lit on the speed scale.

The lowest hysteresis is 0.5°C as no lamps are lit.

When you have finished, pull the cord/cord mechanism once more and the yellow indicator lamp stops flashing.

Calibration of hysteresis is now complete.

Forcing with ignition wire (control phase SL)

The Celsius also has a forcing function. To gain access to this, the fan must be connected with ignition wire (control phase) to SL on the plinth.

Function:

Power supplied (current to SL) via an external switch causes the fan to run at max. speed independently of other active functions.

When the switch is turned off, the fan returns to the programmed function.

LED indicators

LED - what is the fan doing?

The fan uses a yellow indicator lamp to indicate heat transfer – the thermostat is switched on.

The yellow indicator lamp also has three different flashing speeds.

- Slowly – Calibrating the thermostat
- Medium – The pause function is activated
- Fast – adjustment of the difference between the cut-in and cut-off temperature (hysteresis).

If the constant operation function is used, no lamp lights up.

Maintenance

The Fresh Celsius is designed to work efficiently for many years.

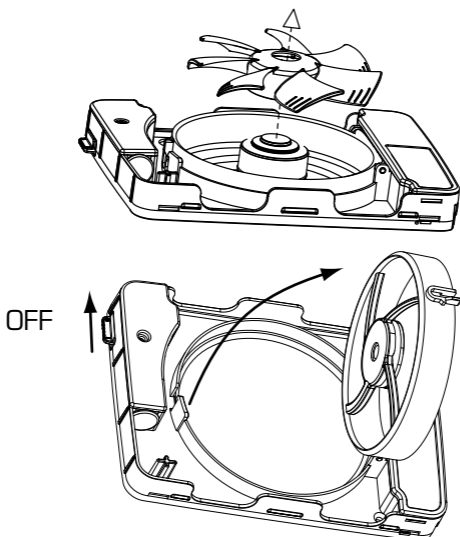
EN

The fan needs to be cleaned at regular intervals if it is to function properly. These intervals are determined by duration of fan operation and air quality.

Clean the fan at least twice a year, or as required.

Disconnect the power supply to the fan by pushing the multi-pole switch up to position O - OFF.

The fan is fitted with a removable impeller. Press in the centre using your thumb, grip the fan wings and pull the impeller off. The fan's "swing out" function is also useful, as it provides easy access to the duct. Press the motor ring's quick-release catch and swing out the motor/impeller.



Clean the duct/pipe if there is any dirt present inside. Failure to do this may result in a risk of impaired capacity.

When cleaning the fan, pay particular attention to the fan wings if these are dirty. There is otherwise a risk of imbalance and hence increased noise and a reduced life span for the motor.

The easiest way to clean the impeller is using a brush and a weakly diluted washing up liquid.

Dry off the impeller after cleaning.

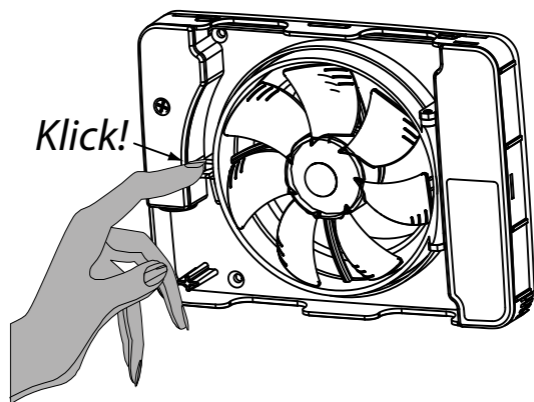
Clean the fan cover with a polishing cloth moistened with water and possibly a mild detergent.

NB! Never use solvents or similar products on any part of the fan, as there is a risk of them damaging the fan's plastic components!

Never submerge the fan in water, as there is a risk that this could seriously damage the fan.

After cleaning, swing the motor mount ring back into position and lock it by securing the snap-in catch. Remount the impeller, press in until it clicks into place. Switch the multi-pole switch back on by moving it down to position 1 - ON.

If maintenance of the fan is not performed as specified above, the product guarantee will be void.



Warranty



We provide a **5 year guarantee** against manufacturing defects.

EN

For the warranty to be valid, proof of purchase is required and the fan:

- must be assembled and installed in accordance with the installation guide in this manual
- must have been maintained according to the maintenance instructions in this manual
- must be installed in a normal residential environment
- must be connected to a voltage of 100-240 V AC
- must not have been exposed to lightning or abnormal power surges
- must not have been subjected to tampering
- must have been installed in a zone rated as IP44
- must not have been installed in an environment where the temperature exceeded 50° Celsius.

Complaints concerning the product are to be made to the point of purchase.

Recycling

The product is marked with the WEEE symbol, which indicates that it must not be disposed of with household waste, but must be recycled at a suitable recycling location in the local municipality.

Fresh AB is a part of Sweden's national recycling system, in accordance with the European WEEE Directive.



For more information, see www.fresh.eu



Accessories

There are a number of accessories available for Fresh Celsius to help you, as a user, install the product as smoothly as possible. Below are some examples of accessories.

Inlet kit
100



Tubes for sizes
100 and 125



Cover plate 190 x 240 mm
white and black



Plastic grille for sizes
100 and 125



Metal grille for sizes
100 and 125



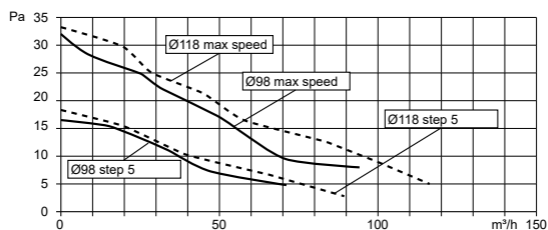
Technical data

Maximum capacity	134 m ³ /h
Sound pressure level 3 m (Speed increment 5)	21 dB(A)
Power consumption	2.1 - 5.5 W
Mounting dimensions in wall	0-30 mm
Holes	105-130 mm
Material	ABS plastic
Protection rating	IP44
Insulation class	□
Voltage	100-240 V
Frequency	50-60 Hz
Certificates	Ⓢ ⒸⒺ

EN

Duct dimensions	Speed steps 1-8	Capacity, free blowing (m ³ /h)	Sound pressure level 3 m (dB A)
Ø 100	1	32	10
Ø 100	2	41	12
Ø 100	3	49	14
Ø 100	4	61	18
Ø 100	5	70	21
Ø 100	6	77	23
Ø 100	7	85	25
Ø 100	8	105	28
Ø125	1	41	11
Ø125	2	55	13
Ø125	3	64	14.5
Ø125	4	79	18
Ø125	5	89	21
Ø125	6	98	24
Ø125	7	108	27
Ø 125	8	134	29

Capacity



TROUBLESHOOTING GUIDE

The fan does not start

The fan is newly installed and has never been started

- Check that the fan impeller runs freely by spinning it.
- Check the position of the safety switch.
It should be in position I, which corresponds to On.
- Remove the cover and disconnect the power supply to the fan by moving the safety switch to 0. Then return the switch to 1.
- Check that there is voltage at terminal block L. (May only be performed by an electrician.)
- Check that neutral is properly connected by measuring the voltage across L-N. (May only be performed by an electrician.)

If the fan still fails to initiate the startup sequence, which involves the LEDs lighting up in sequence and the motor starting after a short time, you can return the fan as long as it is within the warranty period and you have a receipt. See Guarantee on page 15.

The fan has been in use for some time

- Check that the fan impeller runs freely by spinning it.
- Remove the cover and restart the fan by turning the safety switch off and then on again. Leave the fan switched off for about 3 seconds before switching it back on.
- Perform a factory reset by holding the SPEED minus button for at least five seconds.

If the LEDs light up in sequence but the motor does not start, you can return the fan as long as it is within the warranty period and you have a receipt. See Guarantee on page 15.

The fan has been cleaned

- Check that the fan impeller runs freely by spinning it.
- Check the position of the safety switch.
It should be in position I, which corresponds to On.

The fan runs non-stop

No LEDs on

- Check that the “constant operation” function is not activated. See page 10.
- Remove the cover and disconnect the power supply to the fan by moving the safety switch to 0. Then return the switch to I.
- Perform a factory reset by holding the SPEED minus button for at least five seconds.

Yellow LED is constantly on

- Remove the cover and disconnect the power supply to the fan by moving the safety switch to 0. Then return the switch to I.
- Check calibration and settings for thermostat.
- Then adjust the thermostat’s temperature to higher than that in the room if the stove is not lit.
The recommended starting temperature is at least 25°C

If the fan still runs nonstop, you can return the fan as long as it is within the warranty period and you have a receipt. See Guarantee on page 15.

Other faults

The fan does not work as described

- Remove the cover and disconnect the power supply to the fan by moving the safety switch to 0. Then return the switch to I on/off.
- Perform a factory reset by holding the SPEED minus button for at least five seconds.

If the fan still does not work as described in this manual, contact the retailer or Fresh AB.

Vielen Dank, dass Sie sich für dieses Produkt von Fresh entschieden haben.

Bitte lesen Sie sich diese Bedienungsanleitung sorgfältig durch, bevor Sie den Lüfter installieren und in Gebrauch nehmen.

Verwahren Sie sie anschließend sicher auf, so dass Sie im Bedarfsfall darauf zurückgreifen können.

Sicherheitshinweis!

Kinder ab 8 Jahren sowie Personen mit eingeschränkten physischen, sensorischen oder geistigen Fähigkeiten bzw. ohne erforderliche Erfahrung oder Kenntnisse dürfen das Gerät unter der Voraussetzung verwenden, dass sie ausreichend beaufsichtigt werden oder bezüglich des sicheren Gebrauchs des Gerätes unterwiesen wurden und die daraus resultierenden Gefahren verstehen. Das Gerät ist kein Spielzeug. Kinder dürfen das Gerät nicht ohne Aufsicht reinigen oder warten.

4 Beschreibung der Funktionen

5 Installationsanleitung

- 1 Inhalt
- 2 Einbau
- 3 Anschluss
- 4 Anschluss eines Zugschalters
- 5 Werkseitige Einstellung
- 6 Einstellung des Lüfters

DE

9 Funktionsbeschreibung

10 Erweiterte Funktionen

- Aktivierung des Dauerbetriebs
- Kalibrierung des Thermostats
- Die Kalibrierung ist die Differenz zwischen der Ein- und Ausschalttemperatur (Hysterese).

12 LED-Anzeige

13 Wartung

14 Garantie

15 Recycling

16 Zubehör

17 Technische Daten

18 Fehlersuche

Beschreibung der Funktionen

- **Thermostat**
Fresh Celsius ist mit einem eingebauten Thermostat ausgestattet, das dafür sorgt, dass der Lüfter anläuft, wenn die Temperatur den eingestellten Wert erreicht hat.
- **Drehzahlregelung**
Über die eingebaute Drehzahlregelung kann man Geräuschpegel und Leistung nach Bedarf einstellen.
- **Dauerbetrieb**
Wenn die Wohnung ständig belüftet werden soll, kann der Lüfter auf Dauerbetrieb geschaltet werden.
- **Pausenfunktion**
Der Lüfterbetrieb kann mit dem Zugschalter für eine Stunde unterbrochen werden.
- **Allpoliger Schalter**
Der Lüfter ist mit einem genehmigten allpoligen Schalter ausgestattet, so dass kein externer Schalter benötigt wird.
- **LED-Anzeige**
Eine Leuchtdiode zeigt an, mit welcher Funktion der Lüfter gegenwärtig arbeitet.
- **12-Volt-Motor**
Der Motor ist ausgesprochen robust und hat eine Haltbarkeit von etwa 60.000 Betriebsstunden. Dieser Motortyp zeichnet sich außerdem durch seine Laufruhe aus.

Eine ausführlichere Funktionsbeschreibung befindet sich auf Seite 9.

Installationsanleitung

1 Inhalt

Die Verpackung sollte folgende Teile enthalten:

- Lüfter
- 2 Anschluss-Stutzen, Größe $\varnothing 98$ mm und $\varnothing 118$ mm
- Bedienungsanleitung
- Zubehörbeutel mit 4 Schrauben und Dübeln, Zugschnur mit Anhänger und eine Isolierung für das FK-Kabel

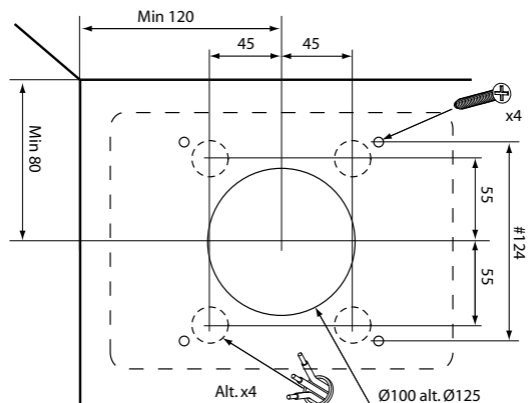
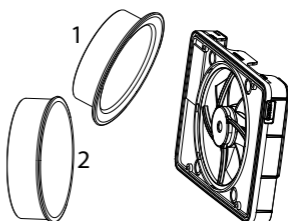
DE

2 Einbau

Der Lüfter kann in der Wand oder in der Decke eingebaut werden. Einbauabmessungen siehe nachstehende Abbildung. Der Lüfter darf nicht in Umgebungen installiert werden, in denen die Temperatur $50\text{ }^{\circ}\text{C}$ übersteigt. Bei Bedarf ist am Lüftergehäuse ein geeigneter Anschluss-Stutzen zu befestigen, $\varnothing 98$ (1) für $\varnothing 100$ -er Rohre oder $\varnothing 118$ (2) für $\varnothing 125$ -er Rohre.

Der Lüfter eignet sich auch zur Aufputzmontage ohne Anschluss-Stutzen, z. B. bei Anschlussrohren unter $\varnothing 98$.

Stellen Sie bei der Montage sicher, dass zwischen Rohr/Kanal und Wand/Decke eine Dichtung vorhanden ist, um zu verhindern, dass Luft in die Wand oder die Decke eindringt. Verwenden Sie bei Bedarf die mitgelieferten Schrauben und Dübel.



3 Anschluss

- Die Installation ist von einem qualifizierten Elektriker durchzuführen.
- Der Lüfter ist doppelt isoliert und nicht für eine Erdung vorgesehen.
- Der Lüfter ist mit einem genehmigten allpoligen Schalter ausgestattet, so dass kein externer Schalter benötigt wird.

1 Den allpoligen Schalter in Stellung 0 - OFF bringen.

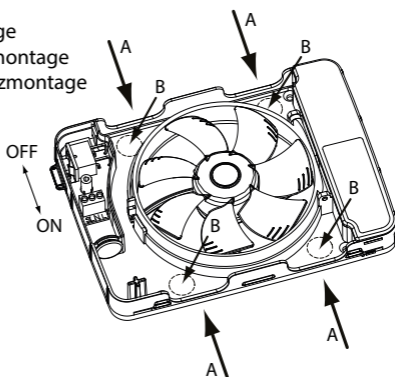
2 Das Kabel entweder durch die Eingänge A am Gehäuse (Aufputzmontage) oder durch die Eingänge B am Gehäuse (Unterputzmontage) verlegen, siehe nachstehende Abbildungen. Die mitgelieferte Isolierung für FK-Kabel verwenden.

3 Wenn Sie einen der B-Eingänge verwenden, entfernen Sie den runden, verdeckten Kunststoffdeckel, indem Sie ihn innerhalb der Bruchkerbe von innen nach außen zur Rückseite herausklopfen, z. B. mit einem Schraubendreher.

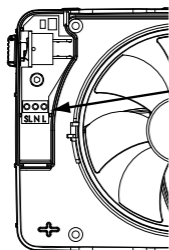
Kabeleingänge

A = Aufputzmontage

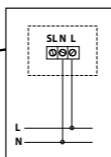
B = Unterputzmontage



Schaltplan

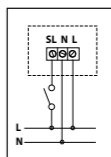


Alt. 1



Alt. 1 Standard

Alt. 2



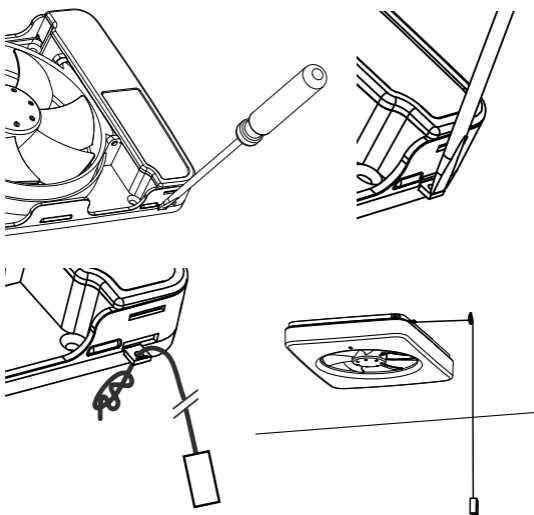
Alt. 2 für Zwangsbetrieb (siehe Seite 11)

4 Anschluss des Zugschalters

Bei Bedarf können Sie zur Aktivierung der Pausenfunktion und zur Erleichterung der Kalibrierung einen Zugschalter anbringen.

Dazu die Montageplatte z. B. mit einem Schraubendreher entfernen und die mitgelieferte Schnur gemäß den nachfolgenden Abbildungen in der Öffnung anbringen.

DE



- Nach Abschluss der Installation den Sicherheitsschalter nach unten in Stellung I – ON bringen und so den Lüfter einschalten.

Beim Stromanschluss des Lüfters wird ein Selbsttest durchgeführt, bei dem die Elektronik, die LED-Leuchten und die Motorfunktion überprüft werden.

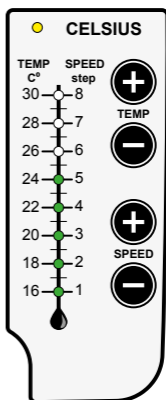
Danach ist der Lüfter betriebsbereit.

5 Werkseitige Einstellung

- Temperatur - 26 °C
- Geschwindigkeit - Stufe 5 (70 % der Höchstleistung)
- Dauerbetrieb - Aus

Rückstellung auf werkseitige Einstellungen

Den SPEED-Minusschalter mindestens 5 Sekunden gedrückt halten.



6. Einstellung des Lüfters

Über das Bedienfeld lassen sich die gewünschten Parameter schnell und einfach einstellen.

1. Starttemperatur

Die gewünschte Starttemperatur mit den Plus- und Minus-Tasten TEMP einstellen.

2. Drehzahl:

Die gewünschte Drehzahl mit den Plus- und Minus-Tasten SPEED einstellen.

Der Lüfter ist nun betriebsbereit. Ausführlichere Einstellungen siehe Seite 10.

Funktionsbeschreibung

Wärmeüberleitung / Thermostat

Celsius ist mit einem integrierten elektronischen Thermostat versehen. Es startet, wenn die Temperatur den eingestellten Wert übersteigt. Die Einschalttemperatur des Lüfters kann auf einen beliebigen Wert zwischen 16 und 30 °C eingestellt werden. Werkseitig ist der Lüfter auf einen Startwert von ca. 26 °C eingestellt. Die gewünschte Starttemperatur wird mit den Plus- und Minus-Tasten (TEMP) auf dem Bedienfeld eingegeben.

DE

Die LEDs an der Thermometerskala zeigen den Startpunkt an. Wenn der Thermostat den Lüfter aktiviert, leuchtet die gelbe Anzeigeleuchte (LED).

Vor dem Einstellen des Startpunkts muss der Lüfter mindestens 30 Minuten angeschlossen gewesen sein. So wird sichergestellt, dass die Elektronik des Lüfters die Betriebstemperatur erreicht.

Drehzahleinstellung

Die Drehzahl des Lüfters kann zwischen ca. 50 % und max. Drehzahl eingestellt werden. Die Einstellung wird an den Plus- und Minus-Tasten (SPEED) des Bedienfelds vorgenommen. Die Drehzahl wird mithilfe einer Skala von 1 bis 8 und zugehörigen LEDs angezeigt. Bei einer Drehzahl von Null (keine LED leuchtet) wird der Lüfter abgeschaltet.

Dauerbetrieb

Celsius ist auch mit einer Funktion für Dauerbetrieb ausgestattet.

Dabei läuft der Lüfter ständig mit einer vorgegebenen Drehzahl.

Im Dauerbetrieb leuchtet die gelbe LED nicht. Sie leuchtet erst auf, wenn das Thermostat aktiviert wird. Dann schaltet der Lüfter auf die Drehzahl um, die für Wärmeüberleitung eingestellt wurde.

Pausenfunktion

Die Pausenfunktion bedeutet, dass der Lüfter für eine Stunde abgeschaltet wird (unabhängig vom Betrieb). Die Pausenfunktion wird durch Ziehen am Zugschalter aktiviert. Nach einer Stunde läuft der Lüfter automatisch wieder an. Während des Pausenbetriebs blinkt die gelbe LED. Soll der Lüfter schon vor Ende der Pausenzeit wieder aktiviert werden, wird einfach erneut am Zugschalter gezogen.

Erweiterte Funktionen

Dauerbetrieb aktivieren

- Einmal am Zugschalter ziehen.
 - Die gelbe LED blinkt.
- Die gewünschte Drehzahl mit den Plus- und Minus-Tasten (SPEED) einstellen.
- Am Zugschalter ziehen.
 - Die gelbe LED hört auf zu blinken.

Der Lüfter geht in den Dauerbetrieb über, auch wenn die Thermostatfunktion nicht aktiviert ist. Dies bedeutet, dass der Lüfter mit zwei verschiedenen Drehzahlen laufen kann: einer für den Dauerbetrieb und einer für Thermostatbetrieb.

Dauerbetrieb deaktivieren

- Einmal am Zugschalter ziehen.
 - Die gelbe LED blinkt.
- Die Minus-Taste (SPEED) drücken, bis keine grünen LED mehr leuchten – der Lüfter bleibt stehen.
- Am Zugschalter ziehen.
 - gelbe LED hört auf zu blinken.

Thermostatkalibrierung

In einzelnen Fällen kann es erforderlich sein, das Thermostat zu kalibrieren. Der Lüfter muss mindestens 30 Minuten angeschlossen gewesen sein, damit die Elektronik ihre Betriebstemperatur erreichen kann.

- Die Plus- oder Minus-Taste (TEMP) gedrückt halten.
- Danach einmal am Zugschalter ziehen.
- Die Taste freigeben – die gelbe LED blinkt langsam.

Es wurde auf Programmierbetrieb umgeschaltet

Die gewünschte Raumtemperatur mit den Tasten TEMP +/- einstellen.

Eine oder zwei LEDs zeigen die Temperatur an. Gerade Temperaturwerte werden durch eine LED auf der Temperaturskala und ungerade Temperaturwerte durch zwei LEDs (ober- und unterhalb des gewünschten Temperaturwerts) angezeigt. Erneut am Zugschalter ziehen. Die gelbe LED blinkt nicht mehr. Die Kalibrierung ist beendet.

Die Kalibrierung ist die Differenz zwischen der Ein- und Ausschalttemperatur (Hysterese).

In einzelnen Fällen kann es erforderlich sein, die Differenz zwischen Ein- und Ausschalttemperatur zu korrigieren (Hysterese).

Der Standardwert beträgt 1,5 °C.

- Die Plus- oder Minus-Taste (SPEED) gedrückt halten.
- Danach einmal am Zugschalter ziehen.
- Die Taste freigeben – die gelbe LED blinkt schnell.

Es wurde auf Programmierbetrieb umgeschaltet.

Stellen Sie nun die Temperaturdifferenz mithilfe der Tasten SPEED +/- ein.

Eine oder zwei LEDs zeigen die Temperatur an. Ganze Gradwerte werden durch eine leuchtende LED auf der Drehzahlskala, halbe Gradwerte durch zwei leuchtende LEDs (ober- und unterhalb des gewünschten Werts) angezeigt. Mit jeder Stufe wird die Hysterese um ein halbes Grad korrigiert.

Bei einer gewünschten Differenz von 2,5 °C wird die Temperatur korrigiert, bis die LEDs bei Stufe 2 und Stufe 3 der Drehzahlskala leuchten.

Die geringste Hysterese beträgt 0,5 °C, dann leuchtet keine LED.

Wenn die Einstellung abgeschlossen ist, ziehen Sie erneut am Zugmechanismus. Die gelbe LED hört dann auf zu blinken. Die Kalibrierung der Hysterese ist nun beendet.

Zwangsbetrieb mit Schalterleitung (Steuerphase SL)

Celsius ist auch mit einer Zwangsbetriebsfunktion ausgestattet. Damit er aktiviert werden kann, muss der Lüfter mit einer Schalterleitung (Steuerphase) an SL an der Anschlussklemme angeschlossen werden.

Funktion:

Bei Aktivierung (Strom liegt an SL an) über einen externen Schalter läuft der Lüfter unabhängig von den sonstigen aktiven Funktionen bei max. Drehzahl.

Wird die Funktion am Schalter deaktiviert, geht der Lüfter wieder zur programmierten Funktion über.

LED-Anzeige

LED – Was macht der Lüfter?

Der Lüfter zeigt über eine gelbe LED an, dass die Wärmeübertragungsfunktion aktiv ist – der Thermostat ist eingeschaltet. Die gelbe LED ist zudem mit drei verschiedenen Blinkgeschwindigkeiten ausgestattet.

- Langsam – das Thermostat wird kalibriert.
- Mittel – die Pausenfunktion ist aktiviert.
- Schnell – Korrektur der Differenz zwischen Ein- und Ausschalttemperatur (Hysterese).

Im Dauerbetrieb leuchtet keine LED.

Wartung

Fresh Celsius ist so konzipiert, dass er über viele Jahre effizienten Betrieb bietet.

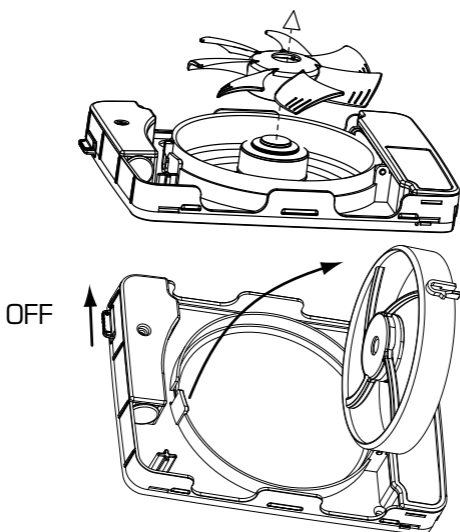
Damit er korrekt funktionieren kann, muss der Lüfter in regelmäßigen Abständen gereinigt werden. Das Reinigungsintervall hängt von der Häufigkeit der Nutzung und von der Luftqualität ab.

DE

Der Lüfter ist mindestens zwei mal pro Jahr oder nach Bedarf zu reinigen.

Den Lüfter durch Umlegen des Sicherheitsstromschalters nach oben in Stellung O - OFF ausschalten.

Der Lüfter ist mit einem abnehmbaren Lüfterrad ausgestattet. Mit dem Daumen den Mittelpunkt eindrücken, die Ventilatorflügel ergreifen und das Lüfterrad abziehen. Sehr praktisch ist auch die Schwenkfunktion des Lüfters, die den freien Zugriff auf den Kanal ermöglicht. Den Schnellverschluss des Motorings eindrücken und den Motor bzw. das Lüfterrad zur Seite schwenken.



Bei Bedarf Verschmutzungen vom Kanal bzw. Rohr entfernen. Wird der Schmutz nicht entfernt, wirkt sich dies eventuell auf die Leistung aus.

Ist eine Schmutzschicht vorhanden, sind vor allen Dingen die Blätter des Lüfterrads zu reinigen. Andernfalls können Unwuchten entstehen, wodurch der Geräuschpegel steigt und die Lebensdauer des Motors verkürzt wird.

Das Lüfterrad ist am einfachsten mit einer Bürste und milden Spülmittellösung zu reinigen.

Das Lüfterrad ist nach der Reinigung abzutrocknen.

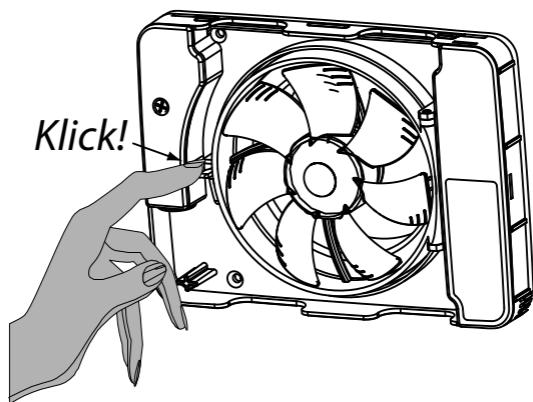
Für die Reinigung des Lüftergehäuses ist ein feuchtes Putztuch mit Wasser und eventuell eine milde Seifenlösung zu verwenden.

HINWEIS! Für den Lüfter niemals Lösungsmittel oder dergleichen verwenden, da diese die Kunststoffteile des Lüfters beschädigen können!

Den Lüfter nie vollständig in Wasser eintauchen, da er dadurch ernsthaft beschädigt werden kann.

Den Motorring nach der Reinigung wieder zurückschwenken und mit dem Schnellverschluss arretieren. Das Lüfterrad wieder anbringen und bis zum Einrasten andrücken. Den Sicherheitsschalter durch Verlegen des Reglers nach unten in Stellung 1 (Ein) einschalten.

Werden die Wartungsanweisungen für den Lüfter nicht befolgt, erlischt die Produktgarantie.



Garantie



Der Hersteller gewährt **eine fünfjährige Garantie** auf Herstellungsfehler.

Für die Inanspruchnahme der Garantie müssen neben der Vorlage des Kaufbelegs noch folgende Bedingungen erfüllt werden:

DE

- Montage und Installation müssen gemäß den Installationsanweisungen in diesem Handbuch erfolgen.
- Die Wartung muss gemäß den Wartungsanweisungen in diesem Handbuch erfolgen.
- Der Lüfter wurde in einem normalen Wohnbereich eingebaut.
- Der Lüfter wurde an eine Stromversorgung von 100-240 V AC angeschlossen.
- Der Lüfter darf weder Blitzschlag noch außergewöhnlichen Stromspitzen ausgesetzt worden sein.
- Der Lüfter wurde keinen äußeren Einwirkungen ausgesetzt.
- Der Lüfter wurde in einer Zone mit der Schutzart IP44 eingebaut.
- Der Lüfter darf nicht in Räumen installiert worden sein, in denen die Temperatur 50 °C übersteigt.

Reklamationen sind an den Händler zu richten.

Entsorgung

Das Produkt trägt eine WEEE-Kennzeichnung als Zeichen dafür, dass es nicht mit dem normalen Hausmüll entsorgt werden darf, sondern zu einem geeigneten Recyclinghof vor Ort gebracht werden muss.

Fresh AB ist an ein in ganz Schweden verbreitetes Recyclingsystem angeschlossen, das den WEEE-Richtlinien der EU entspricht.



Weitere Info siehe www.fresh.se.

Zubehör

Für Fresh Celsius ist eine Reihe von Zubehör erhältlich, das Ihnen eine schnelle und saubere Montage ermöglicht. Nachstehend sind einige Zubehörbeispiele aufgeführt.

Durchführungsbausatz
100



Rohr für die Größen
100 und 125



Abdeckplatte 190 x 240 mm
weiß und schwarz



Kunststoffgitter für die Größen
100 und 125



Metallgitter für die Größen
100 und 125



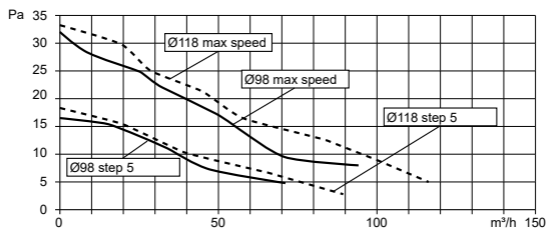
Technische Daten

Höchstleistung	134 m ³ /h
Schalldruckpegel 3m (Drehzahlstufe 5)	21 dB(A)
Leistungsaufnahme	2,1 - 5,5 W
Abmessungen in der Wand	0 - 30 mm
Lochbohrung	105 - 130 mm
Material	ABS-Kunststoff
Schutzart	IP44
Isolierstoffklasse	□
Spannung	100 - 240 V
Frequenz	50 - 60 Hz
Zertifizierungen	Ⓢ ⒸⒺ

DE

Rohrabmessungen	Drehzahl Stufe 1 bis 8	Leistung freiblasend (m ³ /h)	Schalldruckpegel 3m (dB A)
Ø 100	1	32	10
Ø 100	2	41	12
Ø 100	3	49	14
Ø 100	4	61	18
Ø 100	5	70	21
Ø 100	6	77	23
Ø 100	7	85	25
Ø 100	8	105	28
Ø 125	1	41	11
Ø 125	2	55	13
Ø 125	3	64	14,5
Ø 125	4	79	18
Ø 125	5	89	21
Ø 125	6	98	24
Ø 125	7	108	27
Ø 125	8	134	29

Kapazität



FEHLERSUCHE

Der Lüfter startet nicht.

Der Lüfter wurde gerade erst neu installiert und war noch nie in Betrieb.

- Durch Drehen mit der Hand überprüfen, ob sich das Lüfterrad unbehindert drehen kann.
- Die Stellung des Sicherheitsschalters überprüfen. Er sollte auf "I" stehen, also in der Stellung "Ein".
- Entfernen Sie das Gehäuse und schalten Sie das Gerät aus, indem Sie den Sicherheitsschalter auf "0" stellen. Stellen Sie den Schalter anschließend wieder auf "I".
- Stellen Sie sicher, dass am Kontakt L Spannung anliegt (nur vom Elektriker auszuführen).
- Stellen Sie sicher, dass der Neutralleiter korrekt angeschlossen ist, indem Sie die Spannung über L–N messen (nur vom Elektriker auszuführen).

Wenn der Lüfter die Anfahrsequenz immer noch nicht startet, bei der die LEDs aufleuchten und der Motor kurzzeitig gestartet wird, können Sie das Gerät reklamieren, sofern die Garantiezeit nicht abgelaufen und ein Kaufbeleg vorhanden ist. Siehe Kapitel Garantie auf Seite 15.

Der Lüfter ist bereits eine Weile in Betrieb gewesen.

- Durch Drehen mit der Hand überprüfen, ob sich das Lüfterrad unbehindert drehen kann.
- Das Gehäuse abnehmen und den Lüfter durch Ein- und Ausschalten des Sicherheitsschalters neu starten. Lassen Sie den Lüfter ca. 3 Sekunden ausgeschaltet, ehe Sie ihn wieder einschalten.
- Durch mindestens 5 Sekunden langes Eindrücken des SPEED-Minusschalters auf die werkseitigen Einstellungen zurückstellen.

Leuchten anschließend die LEDs auf, der Motor wird jedoch nicht gestartet, können Sie das Gerät reklamieren, sofern die Garantiezeit nicht abgelaufen und ein Kaufbeleg vorhanden ist. Siehe Kapitel Garantie auf Seite 15.

Der Lüfter wurde gereinigt.

- Durch Drehen mit der Hand überprüfen, ob sich das Lüfterrad unbehindert drehen kann.
- Die Stellung des Sicherheitsschalters überprüfen. Er sollte auf "I" stehen, also in der Stellung "Ein".

Der Lüfter läuft ständig.

Keine LED leuchtet.

- Sicherstellen, dass die Funktion „Dauerbetrieb“ nicht aktiviert ist. Siehe Seite 10.
- Das Gehäuse entfernen und das Gerät durch Stellen des Sicherheitsschalters auf 0 ausschalten. Den Schalter anschließend wieder auf I stellen.
- Durch mindestens 5 Sekunden langes Eindrücken des SPEED-Minusschalters auf die werkseitigen Einstellungen zurückstellen.

Die gelbe LED leuchtet ständig.

- Das Gehäuse entfernen und das Gerät durch Stellen des Sicherheitsschalters auf 0 ausschalten. Den Schalter anschließend wieder auf I stellen.
- Die Kalibrierung und Einstellung des Thermostats überprüfen.
- Danach die Temperatur des Thermostats auf einen Wert über der Zimmertemperatur einstellen, wenn der Kamin nicht genutzt wird.
Wir empfehlen eine Starttemperatur von mindestens 25 °C.

Läuft der Lüfter weiterhin kontinuierlich, können Sie das Gerät reklamieren, sofern die Garantiezeit nicht abgelaufen und ein Kaufbeleg vorhanden ist. Siehe Kapitel Garantie auf Seite 15.

Sonstige Fehler

Der Lüfter funktioniert nicht wie beschrieben.

- Das Gehäuse abnehmen und das Gerät ausschalten. Dazu den Sicherheitsschalter auf 0 und anschließend wieder auf I stellen.
- Durch mindestens 5 Sekunden langes Eindrücken des SPEED-Minusschalters auf die werkseitigen Einstellungen zurückstellen.

Wenn der Lüfter anschließend immer noch nicht wie in dieser Bedienungsanleitung beschrieben funktioniert, wenden Sie sich bitte an Ihren Händler oder per E-Mail an Fresh AB:

Merci d'avoir choisi ce produit Fresh.
Nous vous recommandons de lire ce manuel/mode d'emploi intégralement avant d'installer et d'utiliser le ventilateur.
Rangez-le ensuite soigneusement afin de pouvoir l'utiliser comme référence à l'avenir.

Informations relatives à la sécurité!

Les enfants de plus de 8 ans et les personnes aux capacités physiques, sensorielles ou mentales réduites ou ne possédant pas l'expérience ou les connaissances nécessaires peuvent utiliser l'appareil s'ils ont disposé d'une surveillance adéquate ou été suffisamment formés pour utiliser l'appareil en toute sécurité et s'ils ont compris les risques encourus. Ne pas laisser les enfants jouer avec l'appareil. Le nettoyage et l'entretien ne doivent pas être effectués par des enfants sans surveillance.

4 Description des fonctions

5 Guide d'installation

1 Contenu

2 Montage

3 Raccordement

4 Raccordement de l'interrupteur à tirette

5 Réglage d'usine

6 Réglage du ventilateur

FR

9 Description du fonctionnement

10 Fonctions avancées

- Activation du régime constant
- Étalonnage du thermostat
- Étalonnage de la différence entre la température d'activation et de désactivation (hystérésis)

12 Témoin LED

13 Entretien

15 Garantie

15 Recyclage

16 Accessoires

17 Caractéristiques techniques

18 Guide de dépiage des pannes

Description des fonctions

- **Thermostat**

Fresh Celsius est équipé d'un thermostat intégré, ce qui signifie que le ventilateur démarre lorsque la température atteint la valeur paramétrée.

- **Régulation du régime de rotation**

La régulation intégrée du régime de rotation permet de régler le niveau sonore et la capacité selon les besoins.

- **Fonctionnement continu**

Laisser le ventilateur tourner en continu si un échange d'air est requis dans le bâtiment.

- **Fonction pause**

Le ventilateur peut être mis en pause pendant une heure à l'aide de l'interrupteur à tirette.

- **Interrupteur multipolaire**

Le ventilateur est équipé d'un interrupteur multipolaire agréé qui élimine le besoin d'un interrupteur externe.

- **Témoin LED**

Une diode indique la fonction actuelle du ventilateur.

- **Moteur à 12 volts**

Le moteur est de type « longlife » et offre une durée de vie d'environ 60 000 heures. Ce type de moteur permet en outre un fonctionnement silencieux.

Le fonctionnement est décrit plus en détail à la page 9.

Guide d'installation

1 Contenu

L'emballage doit contenir les éléments suivants :

- Ventilateur
- 2 piquages, un de $\varnothing 98$ mm et un de $\varnothing 118$ mm
- Manuel
- Sac d'accessoires avec 4 vis et chevilles, tirette avec bouton et isolation pour fil électrique multibrins

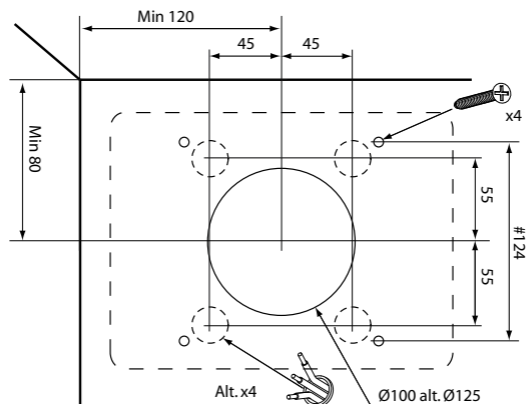
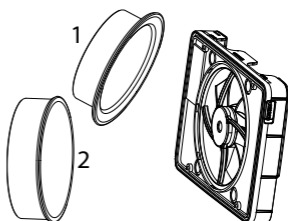
FR

2 Montage

Le ventilateur peut être monté dans une cloison ou un plafond. Voir l'illustration ci-dessous pour les cotes de montage. Ne pas monter le ventilateur dans un environnement soumis à une température dépassant 50°C . Monter un piquage adapté au bâti du ventilateur, $\varnothing 98$ (1) pour conduit $\varnothing 100$ ou $\varnothing 118$ (2) pour conduit $\varnothing 125$.

Le ventilateur peut également être monté et utilisé sans piquage, appliqué directement, par exemple sur un conduit de diamètre inférieur à 98 mm.

Pendant le montage, veiller à installer un joint entre le conduit/la canalisation et la cloison/le plafond pour éviter les infiltrations d'air. Utiliser les vis et chevilles fournies si adéquates.

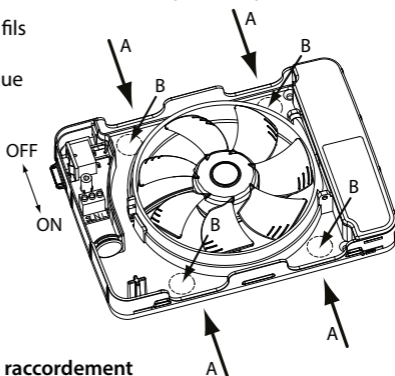


3 Raccordement

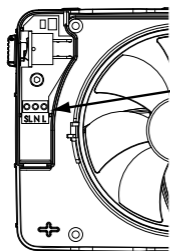
- L'installation doit être effectuée par un électricien agréé.
- Le ventilateur est équipé d'une double isolation et n'a pas besoin de mise à la terre.
- Le ventilateur est équipé d'un interrupteur multipolaire agréé et n'a donc pas besoin d'être protégé par un interrupteur externe.

- 1 Soulever l'interrupteur multipolaire sur la position désactivée 0 - OFF.
- 2 Installer le fil conducteur soit en position apparente par les passages A du bâti comme indiqué ci-dessous, soit en montage encastré par les passages B du bâti comme indiqué ci-dessous Utiliser la douille d'isolation pour fil multibrins fournie.
- 3 En cas d'utilisation de l'un des passages B, déposer le couvercle dissimulé en plastique rond en enfonçant le cache entouré d'une indication de rupture depuis l'intérieur vers l'extérieur à l'aide d'un tournevis par exemple.

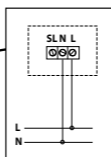
Passages des fils conducteurs
A = en applique
B = encastré



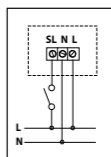
Schémas de raccordement



Alternative 1



Alternative 2

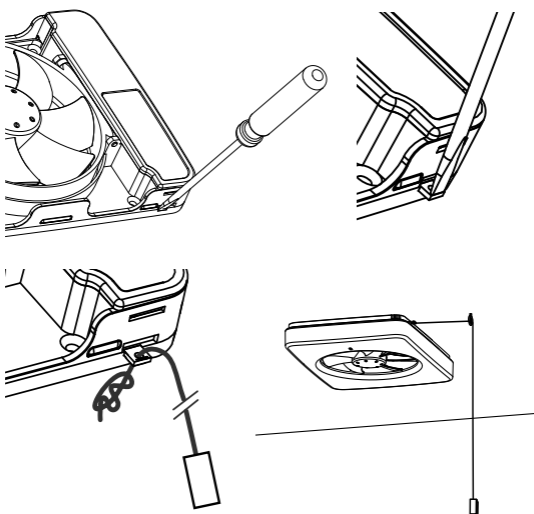


Alternative 1 standard

Alternative 2 pour la fonction de ventilation forcée (voir page 11)

4 Raccordement de l'interrupteur à tirette

Si cela est souhaité, une tirette peut être montée pour activer la fonction de pause et faciliter l'étalonnage du ventilateur. Déposer la plaque de montage à l'aide d'un tournevis par exemple et monter la ficelle fournie dans le passage.



FR

- Quand l'installation est terminée, abaisser l'interrupteur de sécurité en position I – ON pour réactiver le ventilateur.

Quand le ventilateur est raccordé au secteur, il procède à un autotest du système électronique, des voyants LED et du moteur. Le ventilateur est maintenant prêt à être utilisé.

5 Réglage d'usine

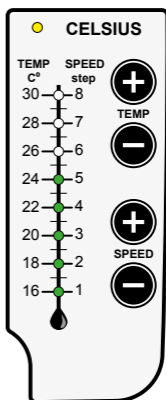
- température - 26 °C
- vitesse - pas 5 (70 % de max.)
- régime constant - désactivé

Réinitialisation au réglage d'usine

Maintenir le bouton SPEED moins enfoncé pendant au moins 5 secondes.

6 Réglage du ventilateur

Le panneau de commande permet un réglage simple et rapide des paramètres souhaités.



1. Température de démarrage

Régler la température de démarrage souhaitée à l'aide des boutons plus et moins TEMP.

2. Régime de rotation

Régler le régime souhaité à l'aide des boutons plus et moins SPEED.

Le ventilateur est maintenant prêt à être utilisé. Pour des réglages plus avancés, voir la page 10.

Description du fonctionnement

Ventilation / thermostat

Celsius est conçu avec un thermostat électronique intégré. Celui-ci démarre le ventilateur lorsque la température dépasse la valeur réglée. Le ventilateur peut être réglé pour démarrer entre 16 et 30 °C. Le réglage usine pour le point de démarrage est 26 °C environ. Pour régler le point de démarrage, utiliser les boutons plus et moins (TEMP) du panneau de commande.

Le point de démarrage est signalé par des témoins LED sur l'échelle thermométrique. Lorsque le thermostat active le ventilateur, le témoin jaune s'allume.

Avant le réglage du point de démarrage, le ventilateur doit être branché depuis au moins 30 minutes pour permettre à son système électronique d'atteindre la température de travail.

Réglage du régime de rotation

Le régime de rotation du ventilateur est réglé sur une plage de 50 % à 100 % du régime max. Le réglage est réalisé au moyen des boutons plus et moins (SPEED) du panneau de commande.

L'indication du régime utilise une colonne avec des témoins LED sur l'échelle de 1 à 8. Si le régime est abaissé jusqu'à zéro (aucun témoin allumé), le ventilateur s'arrête.

Régime constant

Celsius est également équipé d'une fonction de régime constant.

Le ventilateur tourne en continu à un régime paramétré. En mode constant, le témoin jaune ne brille pas. Il ne s'allume que lorsque le thermostat est activé ; le ventilateur passe alors au régime paramétré pour la ventilation d'air chaud.

Fonction pause

La fonction pause permet d'arrêter le ventilateur (quel que soit le mode de fonctionnement) pendant une heure. Pour activer la fonction pause, tirer une fois sur le cordon de l'interrupteur à tirette ; au bout d'une heure, le ventilateur se remet en marche. Pendant cette période, le témoin jaune clignote. Pour annuler la pause, il suffit de tirer une seconde fois sur le cordon de l'interrupteur.

Fonctions avancées

Activation du régime constant

- Tirer une fois sur le cordon de l'interrupteur à tirette
 - le témoin jaune clignote.
- Régler le régime souhaité à l'aide des boutons plus et moins (SPEED).
- Tirer sur le cordon de l'interrupteur à tirette
 - le témoin jaune cesse de clignoter.

Le ventilateur tourne à présent en mode constant, même si la fonction du thermostat n'est pas activée. Le ventilateur est donc capable de fonctionner avec deux régimes totalement distincts en mode de régime constant ou avec le thermostat si nécessaire.

Désactivation du régime constant

- Tirer une fois sur le cordon de l'interrupteur à tirette
 - le témoin jaune clignote.
- Appuyer sur le bouton moins (SPEED) jusqu'à ce qu'aucun témoin vert ne brille – le ventilateur s'arrête.
- Tirer sur le cordon de l'interrupteur à tirette
 - le témoin jaune cesse de clignoter.

Étalonnage du thermostat

Dans des cas particuliers, le thermostat peut avoir besoin d'être étalonné. Avant cette opération, le ventilateur doit être branché depuis au moins 30 minutes pour permettre au système électronique d'atteindre sa température de travail.

- Maintenir enfoncé un bouton plus ou moins (TEMP).
- Tirer ensuite une fois sur le cordon de l'interrupteur à tirette.
- Relâcher le bouton - le témoin jaune clignote lentement.

Le mode de programmation est à présent activé.

Régler la température avec les boutons TEMP +/- sur la température souhaitée/température de la pièce.

La température est signalée par un ou deux témoins. Les degrés égaux sont indiqués par un témoin de l'échelle de température et les degrés inégaux sont signalés par deux témoins, l'un sous et l'autre au-dessus du niveau souhaité. Tirer à nouveau sur le cordon de l'interrupteur à tirette et le témoin jaune cesse de clignoter. L'étalonnage est maintenant terminé.

Étalonnage de la différence entre la température d'activation et de désactivation (hystérésis)

Dans des cas isolés, il peut s'avérer nécessaire de régler la différence entre la température d'activation et de désactivation (hystérésis).

La valeur par défaut est 1,5 °C.

- Maintenir enfoncé un bouton plus ou moins (SPEED).
- Tirer ensuite une fois sur le cordon de l'interrupteur à tirette.
- Relâcher le bouton - le témoin jaune clignote rapidement.

FR

Le mode de programmation est à présent activé.

Régler la température avec les boutons SPEED +/- sur la température souhaitée.

La température est signalée par un ou deux témoins. Les degrés entiers sont signalés avec un témoin de l'échelle de vitesse et les demi-degrés par deux témoins, l'un sous et l'autre au-dessus du niveau souhaité. Chaque pas correspond à un demi-degré.

Par exemple, pour une différence de 2,5 °C, la température est augmentée jusqu'à ce que les témoins 3 et 4 brillent sur l'échelle de vitesse.

L'hystérésis minimale est de 0,5 °C ; aucun témoin n'est alors allumé.

Lorsque le réglage est terminé, tirer à nouveau sur le cordon de l'interrupteur à tirette et le témoin jaune cesse de clignoter. L'étalonnage de l'hystérésis est maintenant terminé.

Ventilation forcée avec fil d'éclairage (phase de commande SL) Celsius est équipé d'une fonction de ventilation forcée. Pour accéder à cette fonction, le ventilateur doit être branché avec le fil d'éclairage (phase de commande) à SL sur le bornier.

Principe de fonctionnement :

Lors de la mise sous tension (courant sur SL) avec un interrupteur externe, le ventilateur tourne à vitesse maximale quelles que soient les autres fonctions.

Si l'alimentation est coupée avec l'interrupteur, le ventilateur revient à la fonction programmée.

LED - indication

Témoin LED : que fait le ventilateur ?

Le ventilateur utilise un témoin jaune pour signaler la ventilation d'air chaud - le thermostat est activé.

Le témoin jaune est doté de trois vitesses de clignotement différentes.

- Lent – étalonnage du thermostat
- Modéré – la fonction pause est activée
- Rapide – réglage de la différence entre la température d'activation et de désactivation (hystérésis).

Si la fonction de régime constant est utilisée, aucun témoin ne brille.

Entretien

Fresh Celsius a été conçu pour fonctionner efficacement pendant de nombreuses années.

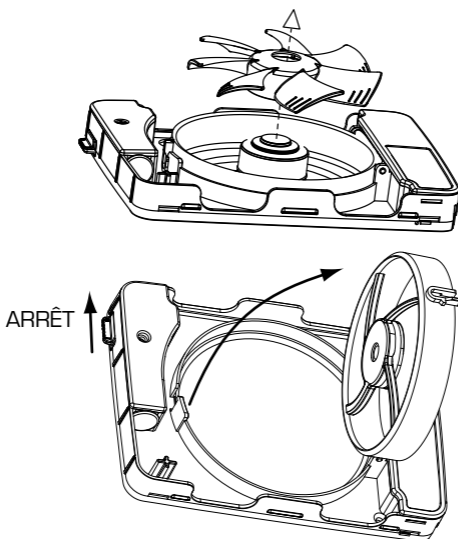
Pour que le ventilateur fonctionne correctement, il doit être nettoyé à intervalles réguliers. L'intervalle est défini par le taux d'utilisation du ventilateur ainsi que par la qualité de l'air.

Nettoyer le ventilateur au moins deux fois par an ou au besoin.

FR

Mettre le ventilateur hors tension en soulevant l'interrupteur multipolaire en position O - OFF.

Le ventilateur est équipé d'une turbine amovible. Appuyer au centre avec le pouce, saisir les pales du ventilateur et extraire la turbine. La fonction « swing out » du ventilateur facilite l'accès au conduit. Appuyer sur le cliquet du collier moteur et faire basculer le moteur/la turbine.



Nettoyer le conduit/tuyau en cas de dépôt de saleté. Cette couche peut réduire la capacité du ventilateur.

Nettoyer en particulier les pales du ventilateur si elles présentent un dépôt de saleté. Un tel dépôt peut compromettre l'équilibrage, entraînant un niveau sonore plus élevé et une réduction de la durée de vie du moteur.

Pour nettoyer la turbine, le plus simple est d'utiliser une brosse et un liquide vaisselle doux.

Sécher la turbine après le nettoyage.

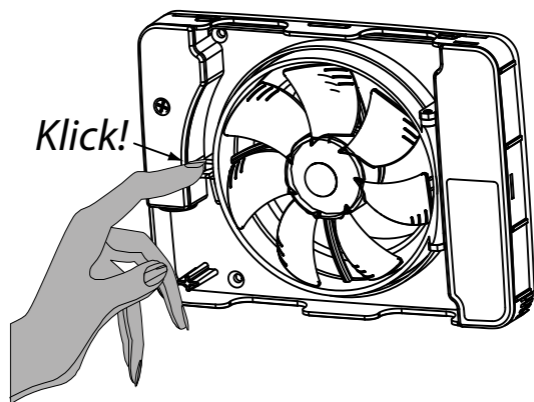
Nettoyer le couvercle du ventilateur à l'aide d'un chiffon humide, éventuellement imbibé d'un peu de savon.

Remarque ! Ne jamais utiliser de solvant ou produits similaires sur tout élément du ventilateur, car cela pourrait endommager ses éléments en plastique !

Ne jamais immerger le ventilateur dans l'eau, car cela risque de l'endommager gravement.

Après nettoyage, rabattre le collier moteur et le verrouiller en enfonçant le cliquet. Remonter la turbine en appuyant jusqu'à ce qu'elle s'encliquète. Refermer l'interrupteur multipolaire en positionnant le levier sur 1 - ON.

La garantie du ventilateur est annulée si l'entretien décrit ci-dessus n'est pas respecté.



Garantie



Nous offrons une **garantie de 5 ans** contre les défauts de fabrication.

Pour que la garantie soit valide, il faut pouvoir présenter le bon d'achat et le ventilateur doit :

- être monté et installé conformément au guide d'installation contenu dans ce manuel
- avoir été entretenu conformément aux instructions d'entretien de ce manuel
- être monté dans un logement normal
- être raccordé à une tension comprise entre 100 et 240 V CA
- n'avoir subi aucun coup de foudre ou surtensions anormales
- n'avoir été soumis à aucune dégradation
- avoir été installé dans une zone conforme à la classe IP 44
- ne pas avoir été installé dans un environnement soumis à une température ayant dépassé 50° C.

FR

Les réclamations concernant le produit doivent être présentées au point de vente.

Recyclage

Le produit porte le symbole DEEE, qui indique qu'il ne doit pas être jeté avec les ordures ménagères, mais remis à un point de collecte approprié en vue de son recyclage dans la commune correspondante.

Fresh AB adhère au réseau national de recyclage suédois, conformément à la directive européenne DEEE.

Pour des informations complémentaires, consulter le site www.fresh.eu.



Accessoires

Une série d'accessoires aide l'utilisateur à procéder à une installation aussi simple et réussie que possible de Fresh Celsius. Quelques exemples d'accessoires sont présentés ci-dessous.

Kit de passage

100



Conduit pour dimensions

100 et 125



Plaque de recouvrement

190 x 240 mm

blanc et noir



Grille en plastique

pour dimensions

100 et 125



Grille métallique pour dimensions

100 et 125



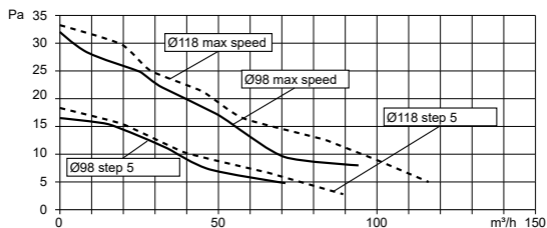
Caractéristiques techniques

Capacité maximale	134 m ³ /h
Pression acoustique à 3 m (pas de régime 5)	21 dB(A)
Puissance consommée	2,1 - 5,5 W
Cotes de montage dans cloison	0 - 30 mm
Perçage	105 - 130 mm
Matière	Plastique ABS
Classe de protection	IP44
Classe d'isolement	□
Tension	100 - 240 V
Fréquence	50 - 60 Hz
Certificat	Ⓢ ⒸⒺ

FR

Dimension conduit	Vitesse, pas 1-8	Capacité, souff. en air libre (m ³ /h)	Pression acoustique à 3 m (dB A)
Ø 100	1	32	10
Ø 100	2	41	12
Ø 100	3	49	14
Ø 100	4	61	18
Ø 100	5	70	21
Ø 100	6	77	23
Ø 100	7	85	25
Ø 100	8	105	28
Ø 125	1	41	11
Ø 125	2	55	13
Ø 125	3	64	14,5
Ø 125	4	79	18
Ø 125	5	89	21
Ø 125	6	98	24
Ø 125	7	108	27
Ø 125	8	134	29

Capacité



GUIDE DE RECHERCHE DES PANNES

Le ventilateur ne démarre pas.

Le ventilateur vient d'être installé et n'a jamais été utilisé.

- Vérifier que la turbine du ventilateur tourne librement en lui donnant une impulsion.
- Vérifier la position de l'interrupteur de sécurité. Il doit être sur la position I, qui correspond à Marche.
- Déposer le panneau avant et mettre le ventilateur hors tension en positionnant l'interrupteur de sécurité sur 0 et ensuite à nouveau sur 1.
- Vérifier que le bornier L est alimenté en courant. (Électriciens seulement)
- Vérifier que le neutre est correctement branché en mesurant la tension entre L et N. (Électriciens seulement)

Si le ventilateur ne suit pas la séquence de démarrage en allumant les témoins LED successivement et en démarrant le moteur brièvement, demander le remplacement du ventilateur si la durée de garantie n'est pas dépassée et si le bon d'achat a été conservé. Voir le chapitre Garantie page 15.

Le ventilateur a été utilisé.

- Vérifier que la turbine du ventilateur tourne librement en lui donnant une impulsion.
- Déposer le panneau et redémarrer le ventilateur en ouvrant et fermant l'interrupteur de sécurité. Laisser le ventilateur hors tension pendant environ 3 secondes avant de le remettre sous tension.
- Effectuer une réinitialisation d'usine en maintenant SPEED moins enfoncé pendant au moins cinq secondes.

Si les témoins LED s'allument successivement mais le moteur ne démarre pas, le ventilateur peut être retourné au lieu de vente si la période de garantie n'est pas dépassée et si vous avez conservé le bon d'achat. Voir le chapitre Garantie page 15.

Le ventilateur a été nettoyé :

- Vérifier que la turbine du ventilateur tourne librement en lui donnant une impulsion.
- Vérifier la position de l'interrupteur de sécurité. Il doit être sur la position I, qui correspond à Marche.

Le ventilateur fonctionne sans interruption

Aucune diode LED ne s'allume

- Vérifier que la fonction de régime constant n'est pas activée. Voir page 10.
- Déposer le panneau et mettre le ventilateur hors tension en positionnant l'interrupteur de sécurité sur 0 et ensuite à nouveau sur I.
- Effectuer une réinitialisation d'usine en maintenant SPEED moins enfoncé pendant au moins cinq secondes.

FR

La diode LED jaune est allumée en permanence

- Déposer le panneau et mettre le ventilateur hors tension en positionnant l'interrupteur de sécurité sur 0 et ensuite à nouveau sur I.
- Contrôler l'étalonnage et le réglage du thermostat.
- Régler ensuite la température du thermostat sur une valeur supérieure à la température ambiante si un poêle à bois n'est pas allumé.
La température de démarrage minimale recommandée est 25 °C.

Si le ventilateur continue à fonctionner sans interruption, il peut être retourné au lieu de vente si la période de garantie n'est pas dépassée et si le bon d'achat a été conservé. Voir le chapitre Garantie page 15.

Autres pannes

Le ventilateur ne fonctionne pas conformément à la description

- Déposer le panneau et mettre le ventilateur hors tension en positionnant l'interrupteur de sécurité sur 0 et ensuite à nouveau sur I, Marche.
- Effectuer une réinitialisation d'usine en maintenant SPEED moins enfoncé pendant au moins cinq secondes.

Si le ventilateur ne fonctionne toujours pas conformément à la description donnée dans ce manuel, contacter le revendeur ou Fresh AB.

Bedankt dat u heeft gekozen voor dit product van Fresh. Voordat u de ventilator installeert en gebruikt, dient u de handleiding/gebruiksaanwijzing door te lezen. Bewaar de handleiding vervolgens om in de toekomst als referentie te kunnen gebruiken.

Veiligheidsinformatie!

Kinderen vanaf 8 jaar en ouder en personen met een fysieke, sensorische of mentale beperking of zonder de noodzakelijke kennis of ervaring kunnen het apparaat gebruiken indien zij voldoende begeleid worden of goed geïnstrueerd zijn zodat ze het apparaat op een veilige manier kunnen gebruiken en hebben begrepen welke risico's er aan het gebruik verbonden zijn. Kinderen mogen niet met het apparaat spelen. Schoonmaken en onderhoud mogen niet worden uitgevoerd door kinderen zonder begeleiding.

4 Beschrijving functies

5 Installatiegids

- 1 Inhoudsopgave
- 2 Montage
- 3 Aansluiten
- 4 Aansluiten trekschakelaar
- 5 Fabrieksinstelling
- 6 De ventilator instellen

9 Functiebeschrijving

10 Geavanceerde functies

- Continu bedrijf inschakelen
- Thermostaat kalibreren
- Kalibreren van het verschil tussen in- en uitschakeltemperatuur (de hysteresis)

12 Led-indicatie

13 Onderhoud

14 Garantie

15 Recycling

16 Accessoires

17 Technische gegevens

18 Gids voor het opsporen van storingen

Beschrijving functies

- **Thermostaat**
Fresh Celsius heeft een ingebouwde thermostaat. Dit houdt in dat de ventilator start wanneer de temperatuur de ingestelde waarde bereikt.
- **Toerenregeling**
Met de geïntegreerde toerenregeling kunt u het geluidsniveau en de capaciteit naar eigen wens regelen.
- **Continu bedrijf**
Laat de ventilator continu draaien wanneer uw woning geventileerd moet worden.
- **Pauzefunctie**
De ventilator kan met de trekschakelaar een uur gepauzeerd worden.
- **Alpolige schakelaar**
De ventilator is voorzien van een goedgekeurde alpolige schakelaar. Er is dus geen externe schakelaar nodig.
- **Led-indicatie**
Een led geeft aan welke functie de ventilator op dat moment uitvoert.
- **12-volt motor**
De motor is van het longlife type en heeft een levensduur van ca. 60.000 uur. Dit type motor zorgt bovendien voor stil bedrijf.

Een uitvoerige beschrijving van de functie vindt u op pagina 9.

Installatiegids

1 Inhoudsopgave

De verpakking moet het volgende bevatten:

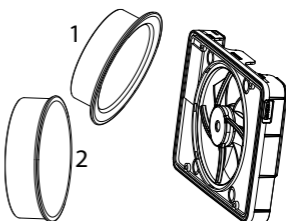
- Ventilator
- 2 verloopringen, een van Ø98 mm en een van Ø118 mm
- Handleiding
- Zakje met accessoires met 4 schroeven en pluggen, trekkoord met knop en isolatie voor de FK-kabel

2 Montage

De ventilator kan aan een muur of op een plafond gemonteerd worden. Zie onderstaande afbeelding voor montage-afmetingen. De ventilator mag niet worden gemonteerd in een omgeving waar de temperatuur hoger is dan 50 °C. Monteer de geschikte verloopring op het frame van de ventilator, Ø98 (1) voor Ø100-luchtkanaal of Ø118 (2) voor Ø125-luchtkanaal.

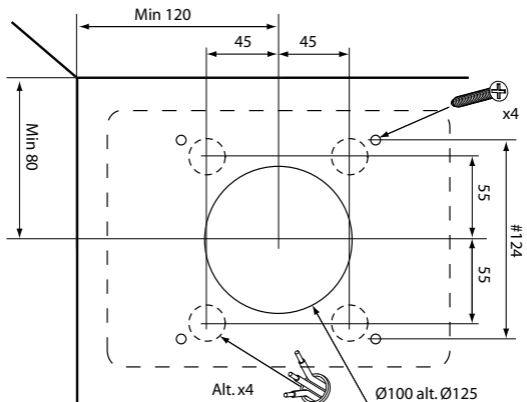
NL

De ventilator kan ook zonder verloopring worden gemonteerd en gebruikt, als een complete opbouw, bijv. bij een luchtkanaal kleiner dan Ø98.



Bij montage moet u ervoor zorgen dat er afdichting zit tussen pijp/kanaal en wand/plafond om te voorkomen

dat er lucht in de wand of het plafond komt. Gebruik de meegeleverde schroeven en pluggen als dat nodig is.

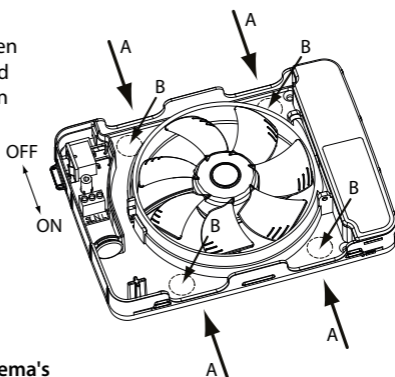


3 Aansluiten

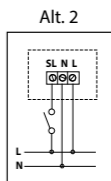
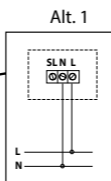
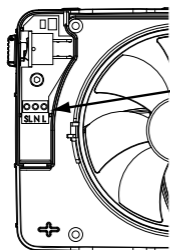
- Installatie moet door een erkend elektricien worden uitgevoerd.
- De ventilator is dubbel geïsoleerd en moet niet geaard worden.
- De ventilator is voorzien van een goedgekeurde alpolige schakelaar en heeft dus geen externe alpolige schakelaar nodig.

- 1 Druk de alpolige schakelaar naar de uit-stand 0 - OFF.
- 2 Installeer de kabel hetzij opliggend door de ingangen A in het frame of verborgen door de ingangen B in het frame. Zie voor beide hieronder. Gebruik de meegeleverde isolatiehuls voor de FK-kabel.
- 3 Als u één van de ingangen B gebruikt, dient u het ronde verborgen plastic deksel te verwijderen door van binnen uit met een schroevendraaier binnen de breuklijnen te kloppen. U drukt het deksel er naar de achterkant uit.

Kabelingangen
A = opliggend
B = verborgen



Aansluitschema's



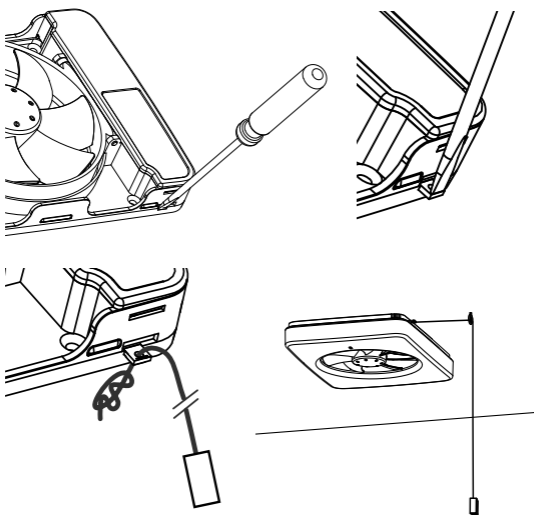
Alt. 1 standaard

Alt. 2 voor forceerfunctie (zie pag. 11)

4 Aansluiten trekschakelaar

Indien gewenst kan een trekkoord worden gemonteerd om de pauzefunctie te activeren en het kalibreren van de ventilator te vereenvoudigen.

Wrik de montageplaat weg met behulp van bijv. een schroevendraaier en monteer het meegeleverde koord in het gat.



NL

- Wanneer de installatie gereed is, drukt u de veiligheidsschakelaar omlaag naar stand I – ON, om de ventilator weer te activeren.

Wanneer de ventilator elektrisch wordt aangesloten, voert hij een zelftest uit om de elektronica, leds en functie van de motor te testen.

De ventilator is nu klaar voor gebruik.

5 Fabrieksinstelling

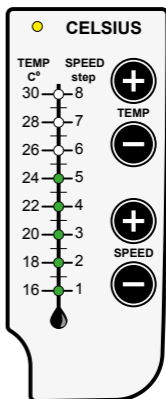
- temperatuur - 26 °C
- snelheid - stap 5 (70 % van max.)
- continu bedrijf - uit

Resetten naar fabrieksinstellingen

Houd de SPEED-mintoets ten minste 5 seconden ingedrukt.

6 De ventilator instellen

Met behulp van het bedieningspaneel kunt u eenvoudig en snel gewenste parameters instellen.



1. Starttemperatuur

Stel de gewenste starttemperatuur in met behulp van de plus- en mintoetsen TEMP.

2. Toerental

Stel het gewenste toerental in met behulp van de plus- en mintoetsen SPEED.

De ventilator is nu klaar voor gebruik. Ga naar pagina 10 voor meer geavanceerde instellingen.

Functiebeschrijving

Warmteverplaatsing/thermostaat

Celsius is voorzien van een ingebouwde elektronische thermostaat. Deze start de ventilator wanneer de temperatuur boven de ingestelde waarde komt. U kunt de ventilator instellen om te starten tussen 16 en 30 °C. De fabrieksinstelling voor het startpunt staat op ca. 26 °C. U kunt het startpunt eenvoudig aanpassen met de plus- en mintoetsen (TEMP) op het bedieningspaneel.

Het startpunt wordt aangegeven door leds op de thermometerschaal. Wanneer de thermostaat de ventilator activeert, brandt de gele indicatielamp.

NL

Voor het aanpassen van het startpunt moet de ventilator ten minste 30 minuten aangesloten zijn geweest. Zo kan de elektronica van de ventilator op werktemperatuur komen.

Toereninstelling

Het toerental van de ventilator kan aangepast worden van ca. 50 % tot max. toeren. Het instellen gebeurt eenvoudig met behulp van de plus- en mintoetsen (SPEED) op het bedieningspaneel.

Het toerental wordt aangegeven met behulp van een kolom met leds op een schaal van 1 tot 8. Als men het toerental op nul zet (er brandt geen led), stopt de ventilator.

Continu bedrijf

Celsius heeft ook een functie voor continu bedrijf.

De ventilator draait continu op een ingesteld toerental.

Bij constant bedrijf brandt de gele indicatielamp niet. De lamp gaat pas branden wanneer de thermostaat wordt geactiveerd. De ventilator gaat dan over naar het toerental dat is ingesteld voor het verplaatsen van warme lucht.

Pauzefunctie

Pauzefunctie betekent dat de ventilator stopt (ongeacht de actuele stand) en een uur stilstaat. Het inschakelen van de pauzefunctie gebeurt door één keer aan de trekschakelaar te trekken, na een uur pakt de ventilator zijn functie weer op. Gedurende deze tijd knippert een gele indicatielamp. Zou men zich bedenken, dan stopt men de pauze door nog een keer aan de trekschakelaar te trekken.

Geavanceerde functies

Inschakelen van continu bedrijf

- Trek één keer aan het trekschakelaarmechanisme
 - de gele indicatielamp knippert.
- Stel het gewenste toerental in met behulp van de plus- en mintoetsen (SPEED).
- Trek aan het trekschakelaarmechanisme
 - de gele indicatielamp houdt op met knippen.

De ventilator werkt nu continu, ook wanneer de thermostaat-functie van de ventilator niet is geactiveerd. Dit betekent dat de ventilator met twee compleet andere toerentallen kan werken bij continu bedrijf respectievelijk thermostaatbedrijf, als dit gewenst is.

Uitschakelen van continu bedrijf

- Trek één keer aan het trekschakelaarmechanisme
 - de gele indicatielamp knippert.
- Druk op de mintoets (SPEED) tot er geen groene leds meer branden – de ventilator stopt.
- Trek aan het trekschakelaarmechanisme
 - de gele indicatielamp houdt op met knippen.

De thermostaat kalibreren

Een enkele keer kan het nodig zijn de thermostaat te kalibreren. De ventilator moet dan ten minste 30 minuten aangesloten zijn geweest zodat de elektronica op werkt-temperatuur kan komen.

- Houd één van de knoppen (TEMP) plus of min ingedrukt.
- Trek daarna één keer aan het trekschakelaarmechanisme
- laat de knop los - een gele indicatielamp knippert langzaam

U bent nu in de programmeerstand

Pas de temperatuur aan met de knoppen TEMP +/- tot de temperatuur van de kamer/de gewenste temperatuur.

De temperatuur wordt met een of twee indicatielampen aangegeven. Even graden met een lampje op de temperatuurschaal en oneven graden met twee lampjes, één boven en één onder het gewenste niveau. Trek opnieuw aan het trekschakelaarmechanisme en de gele indicatielamp houdt op met knippen. Het kalibreren is nu gereed.

Kalibreren van het verschil tussen in- en uitschakeltemperatuur (de hysteresis)

Soms kan het nodig zijn het verschil tussen de in- en uitschakeltemperatuur (de hysteresis) aan te passen.

De standaardwaarde is 1,5 °C.

- Houd één van de knoppen (SPEED) plus of min ingedrukt.
- Trek daarna één keer aan het trekschakelaarmechanisme
- laat de knop los - een gele indicatielamp knippert snel

U bent nu in de programmeerstand

Pas de verschiltemperatuur nu aan met de knoppen SPEED +/- tot de gewenste temperatuur.

De temperatuur wordt met een of twee indicatielampen aangegeven. Hele graden met een lampje op de speedschaal en halve graden met twee lampjes, één boven en één onder het gewenste niveau. Iedere stap wordt de hysteresis met een halve graad aangepast.

Voor bijvoorbeeld 2,5 °C verschil wordt de temperatuur aangepast tot indicatielampjes 2 en 3 op de speedschaal branden.

De kleinste hysteresis is 0,5 °C, dan brandt er geen lampje.

Wanneer u klaar bent, trekt u weer aan het koord/koordmechanisme en de gele indicatielamp stopt met knipperen. Het kalibreren van de hysteresis is nu gereed.

Forceren met schakeldraad (stuurfase-SL)

De Celsius heeft ook een forceerfunctie. Om bij die functie te komen moet de ventilator ingeschakeld worden met schakeldraad (stuurfase) op SL op klem.

Functie:

Bij aanzetten (stroom op SL) via een externe schakelaar gaat de ventilator naar max. snelheid ongeacht de overige actieve functies.

Wanneer de schakelaar wordt uitgezet, gaat de ventilator terug naar de geprogrammeerde functie.

Ledindicatie

Lichtdiode - wat is de ventilator aan het doen?

De ventilator gebruikt een geel indicatielampje om de verplaatsing van warme lucht aan te geven - de thermostaat staat aan.

De gele indicatielamp heeft drie verschillende knippersnelheden.

- Langzaam – Kalibreren van de thermostaat
- Midden – De pauzefunctie is geactiveerd
- Snel – aanpassen van het verschil tussen in- en uitschakeltemperatuur (de hysteresis).

Als de functie continu bedrijf wordt gebruikt brandt er geen lampje.

Onderhoud

De Fresh Celsius is geconstrueerd om jarenlang efficiënt te kunnen werken.

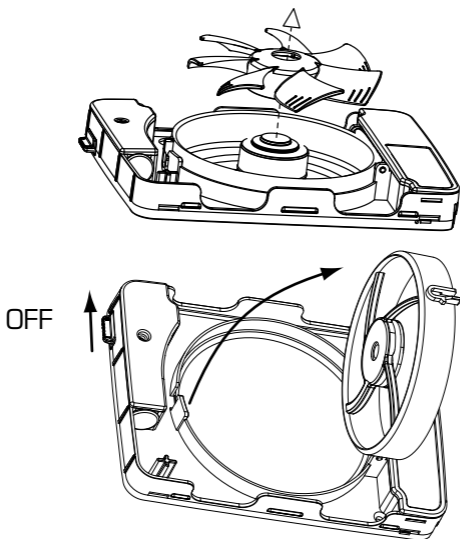
Om de ventilator op de juiste wijze te laten functioneren, is het nodig om hem regelmatig schoon te maken. Het interval wordt bepaald door hoe veel de ventilator draait en de luchtkwaliteit.

Maak de ventilator ten minste twee keer per jaar of naar behoefte schoon.

Maak de ventilator spanningsloos door de alpolige schakelaar omhoog te drukken naar stand O - OFF.

NL

De ventilator heeft een afneembaar ventilatorwiel. Druk met uw duim op het midden, pak de ventilatorschoepen en trek het ventilatorwiel eraf. U kunt ook heel goed de "swing out"-functie van de ventilator gebruiken om makkelijk bij het luchtkanaal te komen. Druk op de kliksluiting van de motorring en klap de motor/het ventilatorwiel naar buiten.



Maak het kanaal/leiding schoon als er een vieze laag op zit. Anders bestaat het risico dat de capaciteit verslechtert.

Maak vooral de schoepen van de ventilator schoon als er een vieze laag op zit. Anders bestaat het risico van onbalans, wat kan leiden tot een hoger geluidsniveau en een kortere levensduur van de motor.

Het ventilatorwiel maakt u het makkelijkst schoon met een borstel en een mild sopje.

Droog het ventilatorwiel na het schoonmaken af.

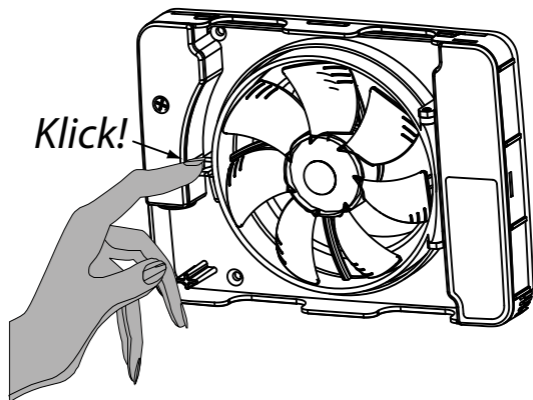
Het frontplaatje van de ventilator wordt schoongemaakt met een met water bevochtigd doekje en eventueel een sopje met milde zeep.

NB! Gebruik nooit oplosmiddel of iets dergelijks op een onderdeel van de ventilator, dat zou de plastic delen van de ventilator kunnen beschadigen!

Laat de ventilator nooit onder water zakken, dan bestaat het risico van ernstige beschadiging aan de ventilator.

Na het schoonmaken klapt u de motorring weer terug. Zet hem vast door de kliksluiting vast te klikken. Plaats het ventilatorwiel terug, druk tot hij vast klikt. Zet de alpolige schakelaar weer aan door de hendel naar beneden op stand 1 - AAN te zetten.

Indien het onderhoud van de ventilator niet wordt nageleefd zoals hierboven beschreven, geldt de garantie op het product niet.



Garantie



Wij geven **5 jaar garantie** op fabrieksfouten.

Om de garantie te laten gelden moet een aankoopbewijs worden overlegd en moet de ventilator:

- gemonteerd en geïnstalleerd zijn volgens de installatiegids in deze handleiding
- onderhouden zijn volgens de onderhoudsinstructies in deze handleiding
- gemonteerd zijn in een normale woonomgeving
- aangesloten zijn met spanning 100-240 V AC
- niet blootgesteld zijn geweest aan blikseminslag of abnormale stroompieken
- niet blootgesteld zijn geweest aan beschadigingen
- geïnstalleerd zijn volgens IP-klasse 44
- niet gemonteerd zijn geweest in een omgeving waar de temperatuur boven de 50 °C lag.

NL

Reclamaties over het product richt u aan de zaak waar u het gekocht heeft.

Recycling

Het product is gemerkt met het WEEE-symbool, dat betekent dat het niet mag worden weggegooid met het normale huisvuil, maar op een geschikt recyclingstation in de desbetreffende gemeente moet worden ingeleverd.

Fresh AB is aangesloten bij het landelijke systeem voor recycling in Zweden, conform de Europese WEEE-richtlijn.



Voor meer informatie zie www.fresh.eu

Accessoires

Voor de Fresh Celsius is een aantal accessoires verkrijgbaar, waarmee u als gebruiker een zo flexibele en zo mooi mogelijke installatie kunt krijgen. Hieronder volgen enkele voorbeelden.

Doorvoerset
100



Buis voor grootte
100 en 125



Afdekplaat 190 x 240 mm
wit en zwart



Plastic rooster voor grootte
100 en 125



Metalen rooster voor grootte
100 en 125



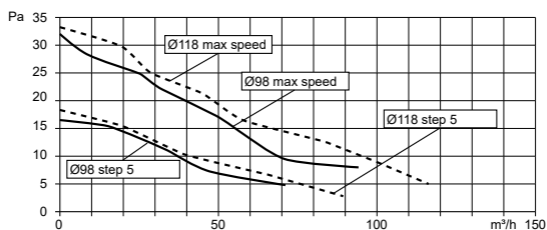
Technische gegevens

Maximum capaciteit	134 m ³ /u
Geluidsdruk niveau 3 m (Toerentalstep 5)	21 dB(A)
Energieverbruik	2,1 - 5,5 W
Inbouwmaten in wand	0 - 30 mm
Te maken gaten	105 - 130 mm
Materiaal	ABS plastic
Beschermingsklasse	IP44
Isolatieklasse	□
Spanning	100-240 V
Frequentie	50-60 Hz
Certificaat	Ⓢ ⒸⒺ

NL

Afmetingen kanaal	Snelheid stappen 1-8	Capaciteit vrijbl. (m ³ /u)	Geluidsdruk niveau 3 m (dB A)
Ø 100	1	32	10
Ø 100	2	41	12
Ø 100	3	49	14
Ø 100	4	61	18
Ø 100	5	70	21
Ø 100	6	77	23
Ø 100	7	85	25
Ø 100	8	105	28
Ø 125	1	41	11
Ø 125	2	55	13
Ø 125	3	64	14,5
Ø 125	4	79	18
Ø 125	5	89	21
Ø 125	6	98	24
Ø 125	7	108	27
Ø 125	8	134	29

Capaciteit



GIDS VOOR HET OPSPOREN VAN STORINGEN

De ventilator start niet

De ventilator is net geïnstalleerd en heeft nog nooit gewerkt.

- Controleer of het ventilatorwiel vrij loopt door er aan te draaien.
- Controleer de stand van de veiligheidsschakelaar. Die moet in stand I staan, wat aan is.
- Haal de frontplaat weg en haal de stroom van de ventilator door de veiligheidsschakelaar op stand 0 te zetten en vervolgens terug op stand 1.
- Controleer of er spanning op aansluitklem L staat. (Alleen elektriciens)
- Controleer of de nul goed is aangesloten door de spanning over L - N te meten. (Alleen elektriciens).

Als de ventilator nog steeds geen startsequentie uitvoert door de ledlampjes een voor een aan te doen en de motor even te starten, kunt u de ventilator reclameren als de garantieperiode nog niet verstreken is en er een aankoopbon aanwezig is. Zie het hoofdstuk Garantie op pagina 15.

De ventilator is enige tijd gebruikt

- Controleer of het ventilatorwiel vrij loopt door er aan te draaien.
- Haal de frontplaat weg en start de ventilator opnieuw door de veiligheidsschakelaar uit en aan te zetten. Laat de ventilator ca. 3 seconden uit voor u hem weer aan zet.
- Reset naar fabrieksinstellingen door SPEED min ten minste vijf seconden ingedrukt te houden.

Als de led-lampjes een voor een aangaan, maar de motor niet start, kunt u de ventilator reclameren als de garantieperiode nog niet verstreken is en er een aankoopbon aanwezig is. Zie het hoofdstuk Garantie op pagina 15.

De ventilator is schoongemaakt

- Controleer of het ventilatorwiel vrij loopt door er aan te draaien.
- Controleer de stand van de veiligheidsschakelaar. Die moet in stand I staan, wat aan is.

De ventilator blijft draaien

Er brandt geen enkele ledlamp

- Controleer of de functie "continu bedrijf" misschien ingeschakeld is. Zie pagina 10.
- Haal de frontplaat weg en haal de stroom van de ventilator door de veiligheidsschakelaar op stand 0 te zetten en vervolgens terug op stand I.
- Reset naar fabrieksinstellingen door SPEED min ten minste vijf seconden ingedrukt te houden.

De gele led brandt continu

- Haal de frontplaat weg en haal de stroom van de ventilator door de veiligheidsschakelaar op stand 0 te zetten en vervolgens terug op stand I.
- Controleer het kalibreren en de instelling van de thermostaat.
- Stel de temperatuur van de thermostaat vervolgens hoger in dan die van de ruimte, als de houtkachel niet wordt gestookt.

De aanbevolen starttemperatuur is ten minste 25 °C

Als de ventilator de hele tijd blijft draaien kunt u hem reclameren als de garantieperiode niet is verstreken en er een aankoopbon aanwezig is. Zie het hoofdstuk Garantie op pagina 15.

Overige storingen

De ventilator werkt niet volgens de beschrijving

- Haal de frontplaat weg en haal de stroom van de ventilator door de veiligheidsschakelaar op stand 0 te zetten en vervolgens weer aan op stand I.
- Reset naar fabrieksinstellingen door SPEED min ten minste vijf seconden ingedrukt te houden.

Als de ventilator nog steeds niet werkt volgens de beschrijving in deze handleiding, moet u contact opnemen met de dealer of Fresh AB.

Gracias por elegir este producto de Fresh.
Antes de instalar y usar el ventilador, leer este manual de instrucciones. Guardar el manual para utilizarlo en el futuro como referencia.

¡Información de seguridad!

Los niños a partir de 8 años de edad, así como las personas con las facultades físicas, sensoriales o mentales limitadas, o que no tengan la experiencia o los conocimientos necesarios, podrán utilizar este equipo bajo supervisión o si reciben las suficientes instrucciones sobre cómo utilizarlo con seguridad y han entendido los riesgos que implica. Los niños no deben jugar con este equipo. Las tareas de limpieza y mantenimiento no deberán realizarlas niños sin supervisión.

4 Descripción de funciones

5 Guía de instalación

- 1 Contenido
- 2 Montaje
- 3 Conexión
- 4 Conexión del interruptor de cordón
- 5 Ajuste de fábrica
- 6 Ajuste del ventilador

9 Descripción del funcionamiento

10 Funciones avanzadas

- Activación del funcionamiento continuo
- Calibración del termostato
- Calibración de la diferencia entre temperatura de activación y temperatura de desactivación (histéresis)

ES

Indicación LED

13 Mantenimiento

15 Garantía

15 Reciclado

16 Accesorios

17 Datos técnicos

18 Guía de localización y reparación de averías

Descripción de funciones

- **Termostato**

Fresh Celsius tiene un termostato integrado, lo cual significa que el ventilador arranca cuando la temperatura alcanza el valor ajustado.

- **Regulación de velocidad**

La regulación de velocidad integrada permite ajustar el nivel sonoro y la capacidad según se necesite.

- **Funcionamiento continuo**

Dejar funcionar el ventilador continuamente si se necesita ventilación en la vivienda.

- **Función de pausa**

El ventilador se puede poner en pausa de una hora con el interruptor de cordón.

- **Interruptor omnipolar**

El ventilador está equipado con un interruptor omnipolar, por lo que no es necesario un interruptor externo.

- **Indicación LED**

Un diodo luminiscente indica la función que tiene el ventilador en cada momento.

- **Motor de 12 V**

El motor es de larga durabilidad y tiene una vida útil de aproximadamente 60.000 horas. Además, este tipo de motor es de funcionamiento silencioso.

Ver la descripción detallada del funcionamiento en la página 9.

Guía de instalación

1 Contenido

Contenido que debe tener el embalaje:

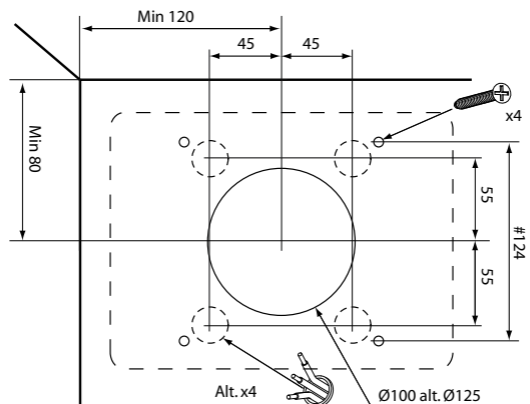
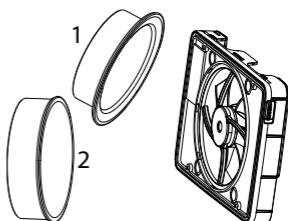
- Ventilador
- 2 bocas de empalme; una de $\varnothing 98$ mm y una de $\varnothing 118$ mm
- Manual de instrucciones
- Bolsa de accesorios con 4 tornillos y tacos, cordón de tiro con perilla y aislamiento para cable FK

2 Montaje

El ventilador se monta en pared o en techo. Ver la imagen abajo para las dimensiones de montaje. El ventilador no debe montarse en entornos con temperatura superior a 50°C . Montar una boca de empalme adecuada en el chasis del ventilador: de $\varnothing 98$ (1) para el canal de $\varnothing 100$ o de $\varnothing 118$ (2) para el canal de $\varnothing 125$.

El ventilador también puede montarse y usarse sin bocas de empalme, totalmente en el exterior; por ejemplo, en un canal de \varnothing inferior a 98.

Al montar, comprobar que hay junta entre el tubo/canal y la pared/techo para impedir la entrada de aire húmedo en la pared o el techo. Utilizar los tornillos y tacos suministrados si es adecuado.

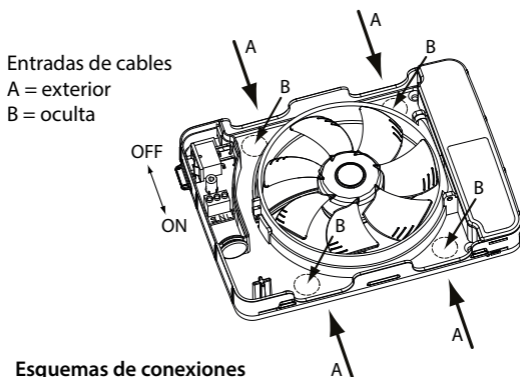


ES

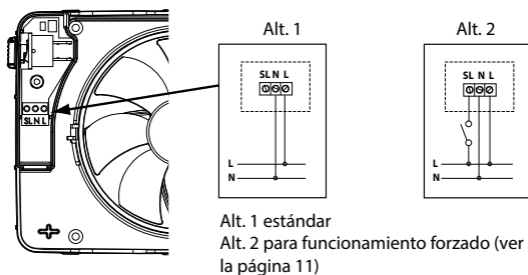
3 Conexión

- La instalación debe ser realizada por un electricista autorizado.
- El ventilador tiene doble aislamiento y no debe conectarse a tierra.
- El ventilador tiene un interruptor omnipolar homologado y no es necesario un interruptor externo.

- 1 Presionar el interruptor omnipolar hacia arriba, hasta la posición de desactivación 0 - OFF.
- 2 Instalar el cable, bien exteriormente a través de las entradas A del chasis como abajo, u oculto a través de las entradas B del chasis como abajo. Usar el casquillo aislante suministrado para el cable FK.
- 3 Si se utiliza alguna de las entradas B, quitar la tapa de plástico redonda oculta, golpeando dentro de la indicación de rotura, desde el interior hacia la parte trasera, usando, por ejemplo, un destornillador.



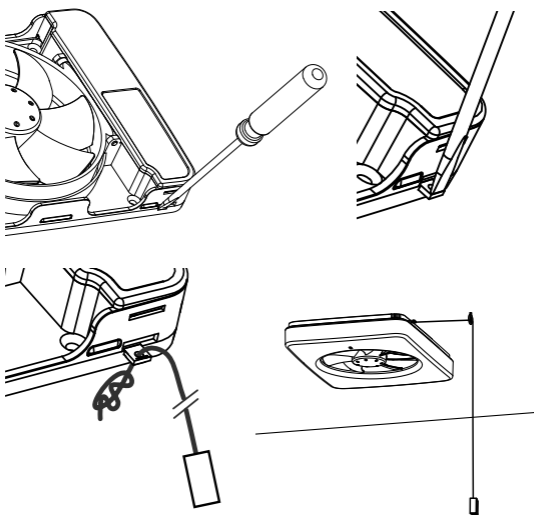
Esquemas de conexiones



4 | Conexión del interruptor de cordón

Si se desea, es posible montar un cordón de tiro para activar la función de pausa y facilitar la calibración del ventilador.

Quitar la placa de montaje apalancando con, por ejemplo, un destornillador y montar en el agujero el cordón suministrado.



ES

- Al terminar la instalación, presionar el interruptor de seguridad hacia abajo, hasta la posición I – ON, para activar de nuevo el ventilador.

Cuando el ventilador se ha conectado al suministro eléctrico, realiza una prueba de autoverificación para probar la electrónica, las lámparas LED y el funcionamiento del motor.

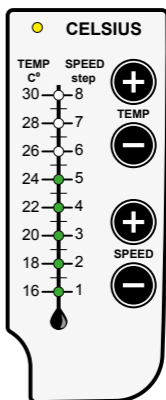
Ahora el ventilador está listo para usar.

5 Ajuste de fábrica

- temperatura - 26 °C
- velocidad - paso 5 (70% del máximo)
- funcionamiento continuo - desactivado

Restablecimiento del ajuste de fábrica

Mantener pulsado el botón SPEED durante 5 segundos como mínimo.



6 Ajuste del ventilador

Con el panel de control pueden ajustarse fácil y rápidamente los parámetros deseados:

1 Temperatura de arranque

Ajustar la temperatura de arranque deseada con los botones TEMP +/-.

2 Velocidad

Ajustar la velocidad deseada con los botones SPEED +/-.

Ahora el ventilador está listo para usar. Para ajustes más avanzados, ir a la página 10.

Descripción del funcionamiento

Migración de calor / termostato

Celsius tiene un termostato electrónico integrado. El termostato arranca el ventilador cuando la temperatura sobrepasa el valor ajustado. El ventilador se puede ajustar para arrancar a entre 16 y 30 °C. El ajuste de fábrica para el punto de arranque es de aproximadamente 26 °C. El punto de arranque se ajusta con los botones de TEMP +/- en el panel de control.

El punto de arranque se indica con las lámparas LED en la escala de termómetro. Cuando el termostato activa el ventilador, se enciende la lámpara indicadora amarilla.

Antes de ajustar el punto de arranque, el ventilador debe haber estado conectado 30 minutos como mínimo. Esto es necesario para que la electrónica del ventilador alcance la temperatura de trabajo.

ES

Ajuste de velocidad

La velocidad del ventilador se puede ajustar desde aproximadamente el 50% hasta la velocidad máxima. El ajuste se hace fácilmente con los botones SPEED +/- en el panel de control.

La velocidad se indica con una columna de lámparas LED en la escala de 1 a 8. Si la velocidad se ajusta a cero (no se enciende ninguna lámpara), el ventilador se para.

• Funcionamiento continuo

Celsius tiene también un modo de funcionamiento continuo. En modo continuo, el ventilador funciona constantemente a una velocidad ajustada.

En funcionamiento continuo no se enciende la lámpara indicadora amarilla. Esta lámpara se enciende cuando se activa el termostato y el ventilador adopta la velocidad ajustada para migración de calor.

Función de pausa

Con la función de pausa el ventilador se para (independientemente del modo en que está) y permanece parado una hora. La función de pausa se activa tirando del interruptor de cordón; después de una hora el ventilador se reactiva. Durante este tiempo destella una lámpara indicadora amarilla. La pausa se puede desactivar con otro tiro del interruptor de cordón.

Funciones avanzadas

Activación del funcionamiento continuo

- Tirar una vez del mecanismo de interruptor de tiro; destella la lámpara indicadora amarilla.
- Ajustar la velocidad deseada con los botones SPEED +/-.
- Tirar del mecanismo de interruptor de tiro; la lámpara indicadora amarilla deja de destellar.

Ahora el ventilador funciona constantemente aunque no esté activada la función de termostato. Ello significa que el ventilador puede trabajar a dos velocidades diferentes, en funcionamiento constante y en funcionamiento termostático, si se desea.

Desactivación del funcionamiento continuo

- Tirar una vez del mecanismo de interruptor de tiro; destella la lámpara indicadora amarilla.
- Pulsar el botón SPEED - hasta que no se encienda ninguna lámpara indicadora verde; el ventilador se para.
- Tirar del mecanismo de interruptor de tiro; la lámpara indicadora amarilla deja de destellar.

Calibración del termostato

En casos aislados puede ser necesario calibrar el termostato. El ventilador debe estar conectado como mínimo 30 minutos para que la electrónica tenga tiempo de alcanzar su temperatura de trabajo.

- Mantener pulsado uno de los botones TEMP +/-.
- A continuación, tirar una vez del mecanismo de interruptor de tiro.
- Soltar el botón; la lámpara indicadora amarilla destella lentamente.

Ahora se entra en el modo de programación

Ajustar la temperatura con los botones TEMP +/- hasta alcanzar la temperatura de la sala/deseada.

La temperatura se indica con una o dos lámparas indicadoras. Los grados pares se indican con una lámpara en la escala de temperaturas. Los grados impares se indican con dos lámparas; una sobre y otra debajo del nivel deseado. Tirar de nuevo del mecanismo de interruptor de tiro; la lámpara indicadora amarilla deja de destellar. Calibración finalizada.

Calibración de la diferencia entre temperatura de activación y temperatura de desactivación (histéresis)

En casos aislados puede ser necesario ajustar la diferencia entre temperatura de activación y temperatura de desactivación (histéresis).

El valor normal es 1,5 °C.

- Mantener pulsado uno de los botones SPEED +/-.
- A continuación, tirar una vez del mecanismo de interruptor de tiro.
- Soltar el botón; la lámpara indicadora amarilla destella rápidamente.

Ahora se entra en el modo de programación

Ajustar la diferencia de temperatura con los botones SPEED +/- hasta alcanzar la temperatura deseada.

La temperatura se indica con una o dos lámparas indicadoras. Los grados enteros se indican con una lámpara en la escala de velocidades. Los medios grados se indican con dos lámparas; una sobre y otra debajo del nivel deseado. Cada paso ajusta la histéresis con medio grado.

Ejemplo: si se desea una diferencia de 2,5°C, se ajusta la temperatura hasta que se encienden las lámparas indicadoras 2 y 3 en la escala de velocidades.

La histéresis más pequeña es de 0,5°C: no se enciende ninguna lámpara.

Al terminar, tirar de nuevo del cordón/mecanismo de cordón: la lámpara indicadora amarilla deja de destellar.

La calibración de histéresis ha finalizado.

Funcionamiento forzado con hilo de encendido (fase de control SL)

Celsius tiene también una función de funcionamiento forzado. Para que se active, hay que conectar el ventilador con hilo de encendido (fase de control) a SL en la regleta.

Funcionamiento:

Al activar con interruptor externo (corriente en SL), el ventilador funciona a velocidad máxima independientemente de las demás funciones activas.

Si se desconecta el interruptor, el ventilador retorna a la función programada.

Indicación LED

Diodo luminiscente - ¿Qué hace el ventilador?

El ventilador usa una lámpara indicadora amarilla para indicar migración de calor; el termostato está activado. La lámpara indicadora amarilla también tiene tres velocidades diferentes.

- Lenta – Calibración del termostato
- Media – Función de pausa activada
- Rápida – Ajuste de la diferencia entre temperatura de activación y temperatura de desactivación (histéresis).

Si se usa el modo de funcionamiento constante no se enciende ninguna lámpara.

Mantenimiento

Fresh Celsius está diseñado para trabajar eficazmente durante muchos años.

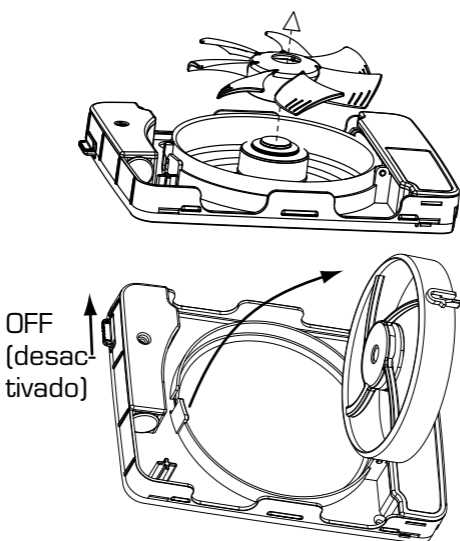
Sin embargo, para que el ventilador funcione correctamente es necesario limpiarlo a intervalos regulares. El intervalo depende de cuanto funciona el ventilador y de la calidad del aire.

Limpiar el ventilador por lo menos dos veces al año o cuando sea necesario.

Cortar la corriente del ventilador presionando el interruptor omnipolar hacia arriba, hasta la posición O - OFF.

El ventilador tiene rodete desmontable. Presionar con el pulgar en el centro, agarrar las palas del ventilador y quitar el rodete. Se recomienda usar la función "swing-out" (giro afuera) para tener paso libre hacia el canal. Presionar la fijación rápida del aro del motor y apartar el motor/el rodete de ventilador.

ES



Limpiar el canal/el tubo si hay suciedad adherida. De no hacerlo hay riesgo de que empeore la capacidad.

Limpiar especialmente las palas del ventilador si tienen suciedad adherida. De no hacerlo hay riesgo de desequilibrio y consiguiente aumento del nivel sonoro y reducción de la vida útil del motor.

El rodete del ventilador se limpia más fácilmente con un cepillo y una solución de lavavajillas suave.

Secar el rodete del ventilador después de limpiarlo.

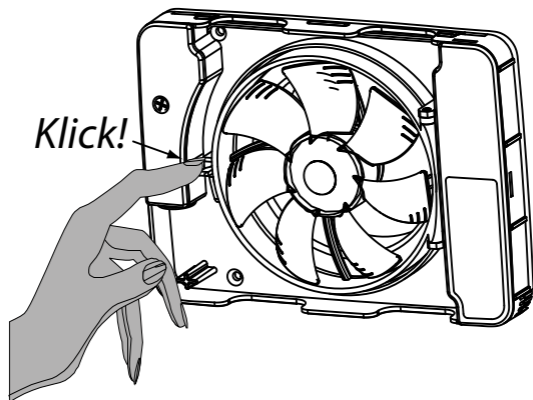
Para limpiar la tapa del ventilador usar un paño de limpieza humedecido con agua y posiblemente una solución jabonosa.

¡ATENCIÓN! ¡Nunca usar disolventes o similares en ninguna parte del ventilador, debido al riesgo de dañar piezas de plástico del mismo!

Nunca sumergir el ventilador en agua, puesto que hay riesgo de averías graves.

Después de limpiar, bajar el aro del motor y fijarlo con la fijación rápida. Montar el rodete, presionando hasta que se fije y suene un chasquido. Conectar de nuevo el interruptor omnipolar, moviéndolo hacia abajo hasta la posición 1 - ON.

Si no se siguen las instrucciones de mantenimiento del ventilador anteriores, se invalida la garantía del producto.



Garantía



Concedemos una garantía de **5 años** por defectos de fabricación.

Para que rija la garantía se requiere presentar el certificado de compra y que el ventilador:

- esté montado e instalado según la guía de instalación de este manual
- haya sido mantenido según las instrucciones de mantenimiento de este manual
- esté montado en un entorno de vivienda normal
- esté conectado a una tensión de 100-240 V CA
- no haya sido sometido a rayos ni a crestas de corriente anormales
- no haya sufrido desperfectos
- se haya instalado en zona según la clase IP 44
- no se haya instalado en entornos con temperatura superior a 50 °C.

ES

La reclamación del producto debe hacerse en el punto de compra.

Reciclado

El producto está marcado con el símbolo de RAEE, indicador de que no debe desecharse entre basuras domésticas, sino que debe reciclarse en un centro de reciclado adecuado del municipio.

La empresa Fresh AB está adscrita al sistema de reciclado nacional de Suecia, de conformidad con la Directiva europea en materia de residuos de aparatos eléctricos y electrónicos, RAEE.



Para más información, visitar www.fresh.eu

Accesorios

Para el ventilador Fresh Celsius hay diversos accesorios que ayudan al usuario a conseguir una instalación lo más adaptada y elegante posible. A continuación se indican algunos ejemplos de accesorios.

Kit de pasamuros
100



Tubo para los tamaños
100 y 125



Placa cobertora 190 x 240 mm,
color negro y blanco



Rejilla de plástico para
los tamaños 100 y 125



Rejilla metálica para los
tamaños 100 y 125



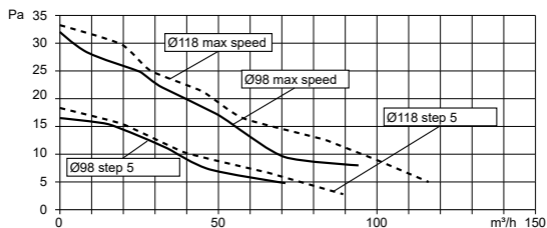
Datos técnicos

Capacidad máxima	134 m ³ /h
Nivel de presión acústica 3 m (paso de velocidad 5)	21 dB(A)
Consumo de potencia	2,1 - 5,5 W
Dimensiones de construcción en pared	0 - 30 mm
Perforación	105 - 130 mm
Material	Plástico ABS
Clase de encapsulado	IP44
Clase de aislamiento	□
Tensión	100-240 V
Frecuencia	50-60 Hz
Certificado	Ⓢ ⒸⒺ

Dimensión de canal	Pasos de velocidad 1-8	Capacidad de soplado libre (m ³ /h)	Nivel de presión acústica 3 m (dB A)
Ø 100	1	32	10
Ø 100	2	41	12
Ø 100	3	49	14
Ø 100	4	61	18
Ø 100	5	70	21
Ø 100	6	77	23
Ø 100	7	85	25
Ø 100	8	105	28
Ø 125	1	41	11
Ø 125	2	55	13
Ø 125	3	64	14,5
Ø 125	4	79	18
Ø 125	5	89	21
Ø 125	6	98	24
Ø 125	7	108	27
Ø 125	8	134	29

ES

Capacidad



GUÍA DE LOCALIZACIÓN Y REPARACIÓN DE AVERÍAS

El ventilador no arranca

El ventilador está recientemente instalado y nunca ha funcionado

- Comprobar que el rodete del ventilador se mueve libremente, girándolo.
- Controlar la posición del interruptor de seguridad. Debe estar en la posición I, correspondiente a conexión/activación.
- Quitar la tapa y cortar la corriente del ventilador poniendo el interruptor de seguridad en la posición 0 y luego de vuelta a la posición 1.
- Comprobar que hay tensión en la regleta de terminales L. (Solamente electricistas.)
- Comprobar que el neutro está correctamente conectado, midiendo la tensión en L - N. (Solamente electricistas.)

Si el ventilador sigue sin realizar la secuencia de arranque encendiendo las lámparas LED consecutivamente y arrancando el motor brevemente, reclamar la garantía del ventilador si el periodo de garantía no ha finalizado y si se dispone de recibo. Ver el capítulo "Garantía" en la página 15.

El ventilador se ha usado durante un tiempo

- Comprobar que el rodete del ventilador se mueve libremente, girándolo.
- Quitar la tapa y rearmar el ventilador desconectando y conectando el interruptor de seguridad. Dejar el ventilador desconectado durante aproximadamente 3 segundos antes de conectarlo de nuevo.
- Hacer un restablecimiento de fábrica, manteniendo pulsado SPEED - durante por lo menos cinco segundos.

Si las lámparas LED se encienden consecutivamente pero el motor no arranca, se puede reclamar la garantía del ventilador si el periodo de garantía no ha finalizado y si se dispone de recibo. Ver el capítulo "Garantía" en la página 15.

El ventilador se ha limpiado

- Comprobar que el rodete del ventilador se mueve libremente, girándolo.
- Controlar la posición del interruptor de seguridad. Debe estar en la posición I, correspondiente a conexión/activación.

El ventilador funciona continuamente

No se enciende ninguna lámpara LED

- Comprobar que no está activado el modo de "funcionamiento constante". Ver la página 10.
- Quitar la tapa y cortar la corriente del ventilador poniendo el interruptor de seguridad en la posición 0 y luego de vuelta a la posición I.
- Hacer un restablecimiento de fábrica, manteniendo pulsado SPEED - durante por lo menos cinco segundos.

La lámpara LED amarilla está encendida constantemente

- Quitar la tapa y cortar la corriente del ventilador poniendo el interruptor de seguridad en la posición 0 y luego de vuelta a la posición I.
- Controlar la calibración y el ajuste del termostato.
- Seguidamente, ajustar la temperatura del termostato a un valor más alto que la de la sala, si no se enciende la estufa de leña.

La temperatura recomendada de arranque es de por lo menos 25 °C

Si el ventilador sigue funcionando constantemente, se puede reclamar la garantía del ventilador si el periodo de garantía no ha finalizado y si se dispone de recibo. Ver el capítulo "Garantía" en la página 15.

Otros fallos

El ventilador no funciona según la descripción

- Quitar la tapa y cortar la corriente del ventilador poniendo el interruptor de seguridad en la posición 0 y luego de vuelta a la posición I, conexión/activación.
- Hacer un restablecimiento de fábrica, manteniendo pulsado SPEED - durante por lo menos cinco segundos.

Si el ventilador sigue sin funcionar según la descripción de este manual, contactar con un distribuidor o con Fresh AB.

Grazie per aver scelto questo prodotto di Fresh.
Prima di installare e utilizzare il ventilatore, leggere questo manuale / istruzioni.
Conservare poi questa pubblicazione per futuri riferimenti.

Informazioni importanti per la sicurezza!

Bambini di età superiore a 8 anni nonché persone con limitate capacità fisiche, sensoriali o mentali o che non dispongano dell'esperienza o delle conoscenze necessarie non devono utilizzare questo apparecchio, a meno che l'uso non avvenga sotto la supervisione di una persona responsabile della loro sicurezza o che impartisca loro istruzioni su come utilizzare l'apparecchio e li informi dei possibili rischi. I bambini non devono giocare con l'apparecchio. Pulizia e manutenzione non devono essere effettuate da bambini senza la supervisione di un adulto.

4 Descrizione delle funzioni

5 Guida all'installazione

1 Contenuti

2 Montaggio

3 Connessione

4 Collegamento dell'interruttore a cordino

5 Impostazioni di fabbrica

6 Impostazione del ventilatore

9 Descrizione delle funzioni

10 Funzioni avanzate

- Attivazione del funzionamento continuo
- Taratura del termostato
- Taratura della differenza tra temperatura di accensione e temperatura di spegnimento (isteresi)

12 Indicazione LED

13 Manutenzione

15 Garanzia

15 Riciclaggio

16 Accessori

17 Dati tecnici

18 Ricerca dei guasti

Descrizione delle funzioni

- **Termostato**

Fresh Celsius è dotato di un termostato integrato, il che significa che il ventilatore si avvia quando la temperatura raggiunge il valore impostato.

- **Regolazione del regime**

La regolazione del regime integrata permette di regolare il livello sonoro e la capacità secondo le proprie esigenze.

- **Funzionamento continuo**

Se si ha bisogno di ricambio d'aria nell'abitazione, fare funzionare continuamente il ventilatore.

- **Funzione di pausa**

È possibile pausare il ventilatore per un'ora con l'interruttore a cordino.

- **Interruttore bipolare**

Il ventilatore è dotato di un interruttore bipolare approvato, per cui non è necessario un interruttore esterno.

- **Indicazione LED**

Un LED indica quale funzione del ventilatore è attiva.

- **Motore a 12 volt**

Il motore è di tipo longlife e ha una vita di servizio di circa 60.000 ore. Questo tipo di motore assicura inoltre un funzionamento silenzioso.

Una descrizione più dettagliata delle funzioni si trova a pagina 9.

Guida all'installazione

1 Contenuti

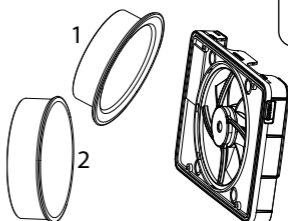
La confezione deve contenere quanto segue:

- Ventilatore
- 2 giunti a manicotto, $\varnothing 98$ mm e $\varnothing 118$ mm
- Manuale
- Sacchetto con 4 viti e perni, cordino con pomello e isolamento per il cavo elettrico

2. Montaggio

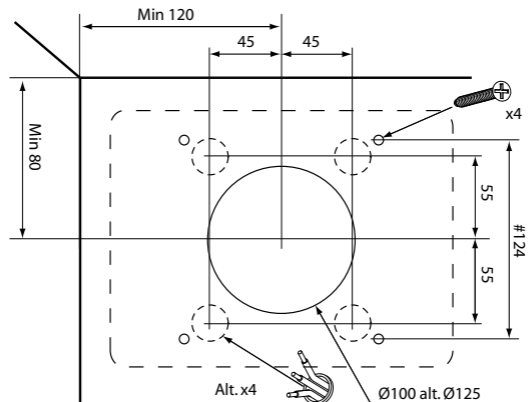
Il ventilatore può essere montato a parete o sul soffitto. Fare riferimento alla figura sottostante per le misure di montaggio. Il ventilatore non deve essere installato in un ambiente in cui la temperatura supera i 50° Celsius. Montare un giunto a manicotto adatto sul telaio del ventilatore, $\varnothing 98$ (1) per un condotto con $\varnothing 100$ oppure $\varnothing 118$ (2) per un condotto con $\varnothing 125$.

È anche possibile montare e utilizzare il ventilatore senza il giunto a manicotto, direttamente a parete, ad esempio nel caso il condotto abbia un diametro inferiore a 98.



IT

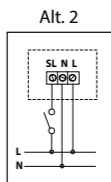
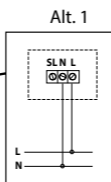
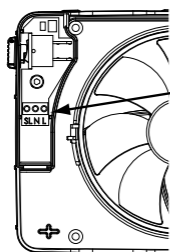
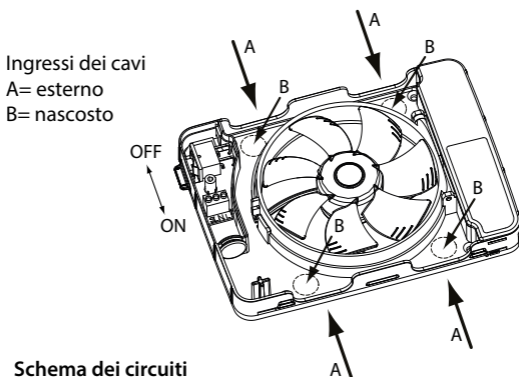
Durante il montaggio, assicurarsi che ci sia isolamento tra il condotto/tubo ed il muro/soffitto per evitare che l'aria penetri nel muro o nel soffitto. Utilizzare le viti ed i perni forniti se necessario.



3 Connessione

- L'installazione deve essere effettuata da un elettricista qualificato.
- Il ventilatore ha doppio isolamento e non deve essere collegato a massa.
- Il ventilatore è dotato di un interruttore bipolare approvato e non necessita di un interruttore esterno.

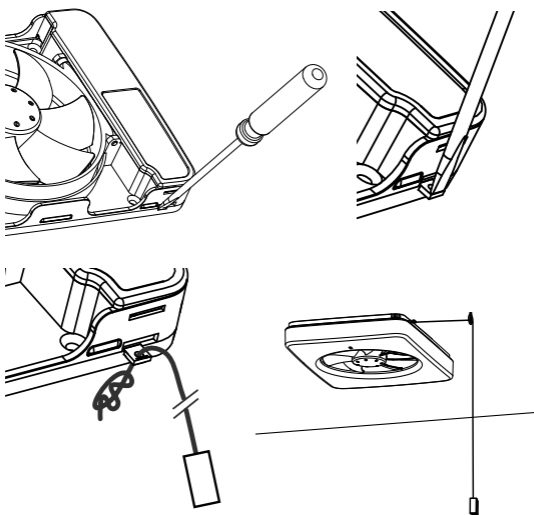
- 1 Portare l'interruttore bipolare in posizione spenta 0 - OFF.
- 2 Installare il cavo in maniera visibile tramite gli ingressi A del telaio, come sotto, o completamente nascosto tramite gli ingressi B del telaio, come sotto. Utilizzare l'involucro isolante per il cavo elettrico fornito.
- 3 Se si utilizza uno degli ingressi B, togliere il coperchio di plastica rotondo nascosto battendo leggermente con un cacciavite sulla tacca dall'interno verso l'esterno sul lato posteriore.



Alt. 1 standard
Alt. 2 per la funzione di forzamento
(vedere pagina 11)

4 Collegamento dell'interruttore a cordino

Volendo, è possibile montare un cordino per attivare la funzione di pausa e facilitare la taratura del ventilatore. Estrarre la piastra di montaggio con un cacciavite e montare il cordino in dotazione nel foro come nell'illustrazione sotto.



IT

- Quando l'installazione è terminata, premere l'interruttore di sicurezza verso il basso in posizione I - ON per riattivare il ventilatore.

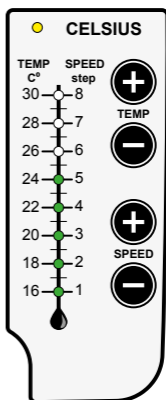
Quando il ventilatore è collegato alla rete di alimentazione, esso svolge un auto-test in cui il funzionamento dei componenti elettronici, del motore e delle lampade LED è verificato. Il ventilatore è ora pronto all'utilizzo.

5 Impostazioni di fabbrica

- temperatura - 26° C
- velocità - passo 5 (70% del max)
- funzionamento continuo - spento

Resettamento alle impostazioni di fabbrica

Tenere premuto il tasto SPEED meno per almeno 5 secondi.



6 Impostazione del ventilatore

Con il pannello di comando è possibile impostare i parametri desiderati in maniera facile e veloce:

1. Temperatura di avvio.

Impostare la temperatura di avvio desiderata con i tasti TEMP più e meno

2. Regime

Impostare il regime desiderato con i tasti SPEED più e meno.

Il ventilatore è ora pronto all'uso. Per impostazioni più avanzate, vedere pagina 10.

Descrizione delle funzioni

Trasferimento di calore / termostato

Celsius è dotato di termostato elettronico integrato, che avvia il ventilatore quando la temperatura supera il valore impostato. È possibile regolare il ventilatore in modo che si avvii tra 16 e 30 °C. L'impostazione di fabbrica del punto di avvio è circa 26 °C. Il punto di avvio è regolato con i tasti (TEMP) più e meno sul pannello di comando.

Il punto di avvio è indicato da LED sulla scala del termometro. Quando il termostato attiva il ventilatore, il LED giallo si accende.

Prima di regolare il punto di avvio, il ventilatore deve essere collegato per almeno 30 minuti. Questo per permettere all'elettronica del ventilatore di raggiungere la temperatura di esercizio.

Impostazione del regime

Il regime del ventilatore può essere regolato da circa 50% fino al regime massimo. L'impostazione si esegue facilmente con i tasti (SPEED) più e meno sul pannello di comando. La visualizzazione del regime avviene utilizzando una colonna di LED nella gamma da 1 a 8. Se si regola il regime a zero (nessun LED acceso), il ventilatore si arresta.

Funzionamento continuo

Celsius ha anche una funzione per il funzionamento continuo.

Il ventilatore funziona continuamente alla velocità impostata. Durante il funzionamento continuo, il LED giallo è spento. Il LED si accende quando viene attivato il termostato e il ventilatore passa al regime impostato per il trasferimento di calore.

Funzione di pausa

La funzione di pausa significa che il ventilatore si arresta (indipendentemente dalla modalità in cui si trova) e sta fermo per un'ora. L'attivazione della funzione di pausa avviene tirando l'interruttore a cordino; dopo un'ora il ventilatore riprende nuovamente la sua funzione. Durante questo tempo il LED giallo lampeggia. Se si cambia idea, è possibile disattivare la funzione tirando nuovamente l'interruttore a cordino.

Funzioni avanzate

Attivazione del funzionamento continuo

- Tirare una volta l'interruttore a cordino - il LED giallo lampeggia.
- Impostare il regime desiderato con i tasti (SPEED) più e meno.
- Tirare l'interruttore a cordino - il LED giallo smette di lampeggiare.

Il ventilatore si muove con funzionamento continuo anche quando la funzione del termostato non è attivata. Ciò significa che, se desiderato, il ventilatore può funzionare con due regimi completamente diversi per il funzionamento continuo e il funzionamento a termostato.

Disattivazione del funzionamento continuo

- Tirare una volta l'interruttore a cordino - il LED giallo lampeggia.
- Premere il tasto meno (SPEED) finché nessun LED verde è acceso - il ventilatore si ferma.
- Tirare l'interruttore a cordino - il LED giallo smette di lampeggiare.

Taratura del termostato

In rari casi ci può essere necessario tarare il termostato. Il ventilatore deve essere collegato almeno 30 minuti prima in modo che i componenti elettrici possano raggiungere la temperatura di esercizio.

- Tenere premuto uno dei tasti (TEMP) più o meno.
- Tirare una volta l'interruttore a cordino.
- Rilasciare il tasto - il LED giallo lampeggia lentamente.

Ora si è in modalità di programmazione

Regolare la temperatura con il tasto TEMP +/- alla temperatura della stanza/desiderata.

La visualizzazione della temperatura viene effettuata con uno o due LED. I gradi pari sono indicati da un LED sulla scala dei gradi e i gradi dispari con due LED, uno sopra e uno sotto il livello desiderato. Tirare nuovamente l'interruttore a cordino e il LED giallo smette di lampeggiare. La taratura è ora completa.

Taratura della differenza tra temperatura di accensione e temperatura di spegnimento (isteresi)

In casi particolari può essere necessario regolare la differenza tra temperatura di accensione e temperatura di spegnimento (isteresi).

Il valore di default è 1,5 °C.

- Tenere premuto uno dei tasti (SPEED) più o meno.
- Tirare una volta l'interruttore a cordino.
- Rilasciare il tasto - il LED giallo lampeggia velocemente.

Ora si è in modalità di programmazione

Regolare la differenza di temperatura con i tasti SPEED +/- alla temperatura desiderata.

La visualizzazione della temperatura viene effettuata con uno o due LED. I gradi interi sono indicati da un LED sulla scala della velocità e i mezzi gradi con due LED, uno sopra e uno sotto il livello desiderato. Ogni passo regola l'isteresi di mezzo grado.

Se ad esempio si vuole avere una differenza di 2,5°C, si aumenta la temperatura fino a quando i LED 2 e 3 si accendono sulla scala della velocità.

L'isteresi minima è di 0,5°C, e in questo caso nessun LED è acceso.

Quando si ha terminato, tirare nuovamente l'interruttore a cordino e il LED giallo smette di lampeggiare.

La taratura dell'isteresi è ora completa.

Forzamento con il cavo di accensione (Fase di controllo SL)

Celsius ha anche una funzione di forzamento. Per accedere a questa funzione, il ventilatore deve essere collegato con un cavo di accensione (fase di controllo) al blocco SL.

Funzione:

All'accensione (corrente su SL) tramite un interruttore esterno, il ventilatore funziona alla massima velocità indipendentemente dalle altre funzioni attive.

Quando l'interruttore si spegne, il ventilatore ritorna alla funzione programmata.

INDICAZIONE LED

LED: cosa sta facendo il ventilatore?

Il ventilatore utilizza un LED giallo per indicare il trasferimento di calore - il termostato è acceso.

Il LED giallo ha tre diverse velocità di lampeggiamento.

- Lenta - Taratura del termostato
- Media - La funzione di pausa è attivata
- Veloce - Taratura della differenza tra temperatura di accensione e temperatura di spegnimento (isteresi).

Se si utilizza il funzionamento continuo, nessun LED è acceso.

Manutenzione

Fresh Celsius è costruito per poter funzionare in maniera efficiente per molti anni,

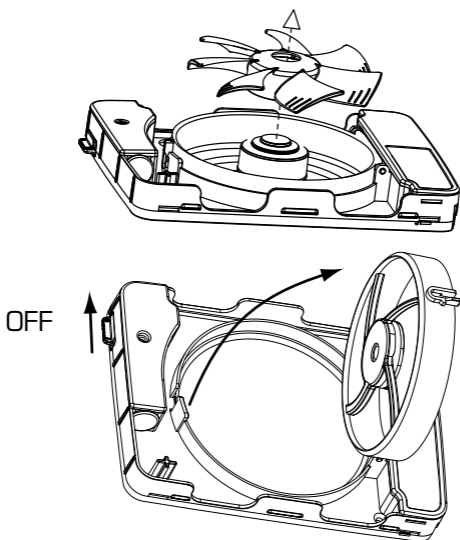
ma per far sì che il ventilatore funzioni correttamente, è necessario pulirlo ad intervalli regolari. La lunghezza degli intervalli dipende dalla qualità dell'aria e da quanto il ventilatore è in funzione.

Pulire il ventilatore almeno due volte all'anno o quando necessario.

Togliere la corrente al ventilatore premendo l'interruttore bipolare verso l'alto in posizione 0 - OFF.

Il ventilatore è dotato di un'elica rimovibile. Premere sul centro con il pollice, afferrare le pale del ventilatore e staccare l'elica. Per un facile accesso al condotto, è anche possibile utilizzare la funzione di rotazione verso l'esterno. Premere il fermo a pressione e ruotare il motore/l'elica verso l'esterno.

IT



Pulire il condotto /tubo se è presente uno strato di sporco, che può causare una diminuzione di capacità.

Pulire soprattutto le pale dell'elica se presentano uno strato di sporco, altrimenti c'è rischio di sbilanciamento e quindi aumento del livello sonoro e diminuzione della vita di servizio del motore.

L'elica del ventilatore va pulita con una spazzola e un detergente neutro per stoviglie.

Dopo la pulizia, asciugare l'elica.

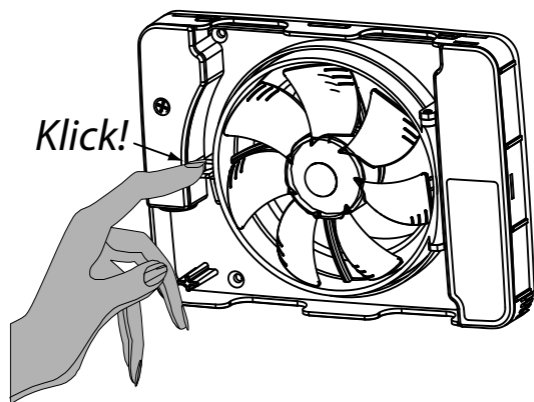
La cornice del ventilatore va pulita con un panno inumidito con acqua ed eventualmente un detergente delicato.

Nota! Non usare solventi o simili su qualsiasi parte del ventilatore, sussiste il rischio di danni alla plastica del ventilatore!

Non immergere mai il ventilatore sott'acqua, sussiste il rischio di seri danni.

Dopo la pulizia, ripiegare l'anello del motore e fissarlo con il gancio a scatto. Reinstallare l'elica, premerla fino allo scatto. Accendere nuovamente l'interruttore bipolare premendolo verso il basso in posizione 1 - ON.

Se la manutenzione del ventilatore non viene effettuata come sopra, la garanzia del prodotto non sarà valida.



Garanzia



Offriamo **5 anni di garanzia** contro i difetti di fabbricazione.

Perché la garanzia sia valida è necessario presentare la prova d'acquisto e che il ventilatore:

- sia montato e installato secondo la guida all'installazione in questo manuale
- sia stato mantenuto secondo le istruzioni di manutenzione in questo manuale
- sia montato in un normale ambiente domestico
- sia collegato ad una tensione di 100-240 V AC
- non sia stato esposto a fulmini o picchi di potenza anomali
- non sia stato sottoposto a manipolazioni
- sia stato installato in una zona secondo la classe IP 44.
- non sia stato installato in un ambiente in cui la temperatura ha superato i 50° Celsius.

IT

Il prodotto va reclamato al punto di acquisto.

Riciclaggio

Il prodotto è contrassegnato con il simbolo RAEE che indica che non deve essere smaltito con i rifiuti domestici, ma che deve essere riciclato presso la sede locale per il riciclaggio in ogni comune.

Fresh AB partecipa al sistema di riciclaggio nazionale svedese, secondo la direttiva europea RAEE.

Per saperne di più, visitare www.fresh.eu



Accessori

Per Fresh Celsius è disponibile una serie di accessori che aiuta l'utente ad ottenere un'installazione il più agevole e ordinata possibile. Di seguito alcuni esempi di accessori.

Kit di traforo
100



Tubi per dimensioni 100 e 125



Piastra di copertura 190 x 240 mm
bianca e nera



Griglia di plastica per
dimensioni 100 e 125



Griglia di metallo per
dimensioni 100 e 125



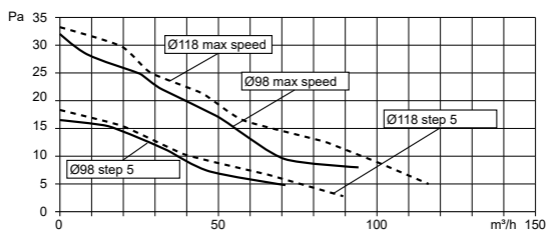
Dati tecnici

Capacità massima	134 m ³ /h
Livello di pressione sonora 3m (regime 5)	21 dB(A)
Consumo energetico	2,1 - 5,5 W
Misure di montaggio a muro	0 - 30 mm
Foro	105 - 130 mm
Materiale	Plastica ABS
Classe di incapsulamento	IP44
Classe di isolamento	□
Tensione	100-240 V
Frequenza	50-60 Hz
Certificato	Ⓢ ⒸⒺ

Dimensione del condotto	Velocità, passi 1-8	Capacità (m ³ /h)	Pressione sonora a 3m (dB A)
Ø 100	1	32	10
Ø 100	2	41	12
Ø 100	3	49	14
Ø 100	4	61	18
Ø 100	5	70	21
Ø 100	6	77	23
Ø 100	7	85	25
Ø 100	8	105	28
Ø 125	1	41	11
Ø 125	2	55	13
Ø 125	3	64	14,5
Ø 125	4	79	18
Ø 125	5	89	21
Ø 125	6	98	24
Ø 125	7	108	27
Ø 125	8	134	29

IT

Capacità



GUIDA ALLA RICERCA DI GUASTI

Il ventilatore non si avvia

Il ventilatore è appena stato installato e non è mai stato avviato

- Controllare che l'elica si possa muovere liberamente facendola girare a mano.
- Controllare la posizione dell'interruttore di sicurezza, che deve essere in posizione I cioè acceso.
- Rimuovere la cornice e staccare la corrente portando l'interruttore di sicurezza in posizione 0 e poi riportarlo in posizione 1.
- Controllare che ci sia tensione sul blocco di connessione L. (Solamente elettricisti)
- Controllare che il neutro a terra sia collegato correttamente misurando la tensione su L-N. (Solamente elettricisti)

Se il ventilatore continua a non iniziare la sequenza di avvio accendendo i LED in sequenza e accendendo il motore per un breve periodo, inoltrare un reclamo, se la garanzia non è scaduta e si ha una prova d'acquisto. Vedere il capitolo Garanzia a pagina 15.

Il ventilatore è già stato usato per un periodo

- Controllare che l'elica si possa muovere liberamente facendola girare a mano.
- Rimuovere la cornice e riavviare il ventilatore staccando e riattaccando l'interruttore di sicurezza. Lasciare il ventilatore spento per circa 3 secondi prima di riattaccarlo.
- Eseguire un ripristino di fabbrica tenendo premuto il tasto SPEED meno almeno cinque secondi.

Se le lampade LED si accendono in sequenza ma il motore non si avvia, è possibile inoltrare un reclamo, se la garanzia non è scaduta e si ha una prova d'acquisto. Vedere il capitolo Garanzia a pagina 15.

Il ventilatore è stato pulito

- Controllare che l'elica si possa muovere liberamente facendola girare a mano.
- Controllare la posizione dell'interruttore di sicurezza, che deve essere in posizione I cioè acceso.

Il ventilatore è costantemente in azione

Nessun LED acceso

- Assicurarsi che il "funzionamento continuo" non sia attivato. Vedere pagina 10.
- Rimuovere la cornice e staccare la corrente portando l'interruttore di sicurezza in posizione 0 e poi riportarlo in posizione I.
- Eseguire un ripristino di fabbrica tenendo premuto il tasto SPEED meno almeno cinque secondi.

Il LED giallo è sempre acceso

- Rimuovere la cornice e staccare la corrente portando l'interruttore di sicurezza in posizione 0 e poi riportarlo in posizione I.
- Controllare la taratura e le impostazioni del termostato.
- Regolare il termostato ad una temperatura superiore a quella della stanza se il caminetto è spento.
La temperatura iniziale raccomandata è 25 °C.

IT

Se il ventilatore continua a essere costantemente in azione, è possibile inoltrare un reclamo, se la garanzia non è scaduta e si ha una prova d'acquisto. Vedere il capitolo Garanzia a pagina 15.

Altri problemi

Il ventilatore non funziona secondo la descrizione

- Rimuovere la cornice e staccare la corrente portando l'interruttore di sicurezza in posizione 0 e poi riportarlo in posizione I (acceso).
- Eseguire un ripristino di fabbrica tenendo premuto il tasto SPEED meno almeno cinque secondi.

Se il ventilatore continua a non funzionare secondo la descrizione in questo manuale, contattare il rivenditore o Fresh AB.





Designed and manufactured
by Fresh in Sweden



FRESH AB

Gransholmsvägen 136
SE-355 99 GEMLA
SWEDEN

Tel +46 (0) 470-70 77 00
Fax +46 (0) 470-70 77 39

E-mail info@fresh.se
Web www.fresh.eu

Copyright © Fresh AB 2009-2017 • All rights reserved.

Fresh® and the Fresh® logotype are trademarks or registered trademarks of Fresh AB in Sweden and/ or other countries. Intellivent® is a trademark or registered trademark of Fresh AB in Sweden and/ or other countries. Patent SE533319 C2. International and European Patent Pending.

Art. nr. 008524 • Intellivent® Celsius Exp Edition 2017

