

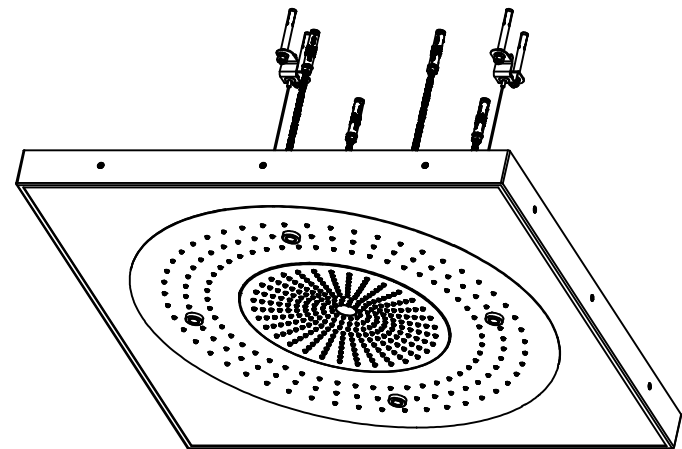
STEINBERG

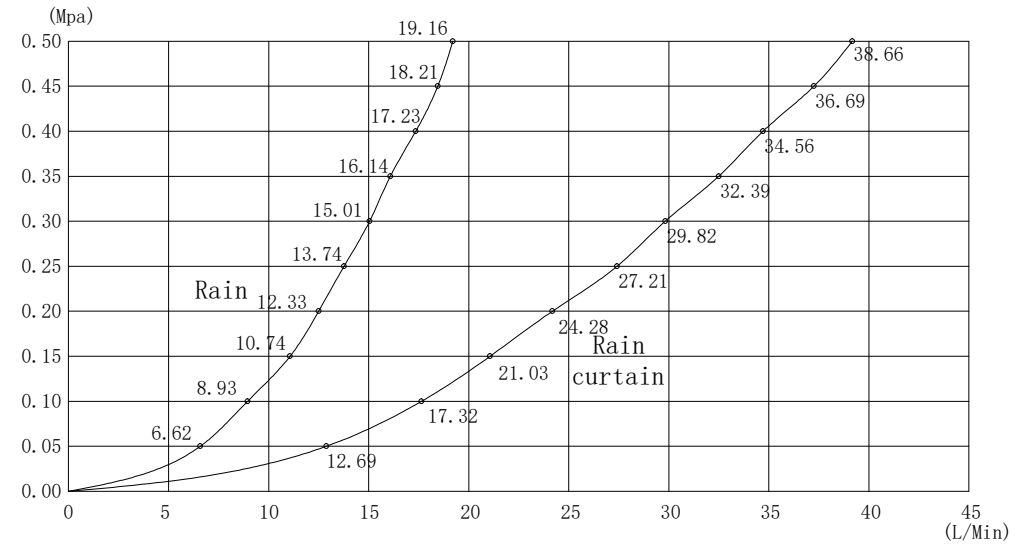


Sensual Rain Regenpaneel mit LED

Art.Nr.390 6630/390 6630 S

Ceiling shower
user's manual / installation instructions





V、Care and Maintenance

Please regularly clean the surface of the product to keep the surface bright and clean

- Use water to clean regularly, and wipe the products with a soft cloth.
- Do not use detergent or polishing powder and others which contain coarse particles, for these detergent or nylon brush wear products easily
- Due to acidic detergent can erode the coating, it is not allowed to use them.

If you wash the ceramic tiles with acidic detergent, wash the tiles or utensils immediately.

Any need to do a lot of cleaning, please follow the procedures:

1. Use clear water and soft cloth to clean the surface dirt and scale film
2. Remove the surface dirt and scale film using any following cleaner

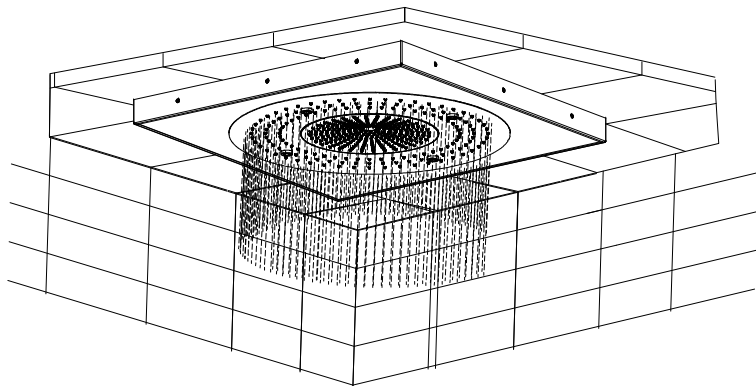
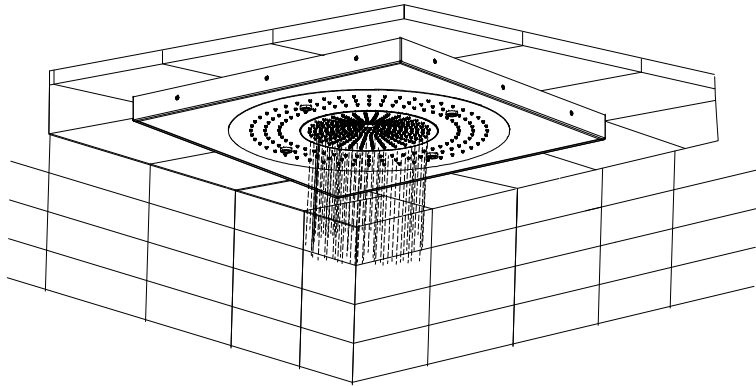
- Mild liquid cleaner
- Colorless glass cleaner, do not have the powdered detergent which can be completely dissolved.
- Polishing fluid without wear

3. After the cleaning is completed, please use clear water to remove all the cleaning liquid, and dry with a soft cotton cloth.

Plan the proper cleaning cycle according to your environment

Surroundings		Pastoral area	City	Industry	Coastal area
Area	Structure		General environment		Corroded environment
Outdoor rain	Non pollution sediment residue	1-2 times/year	2-3 times/year		3-4 times/year
	residual	2-3 times/year	3-4 times/year		4-5 times/year
Indoor	Non pollution sediment residue	1-2 times/year	3-4 times/year		4-5 times/year
	residual	2-3 times/year	4-5 times/year		5-6 times/year

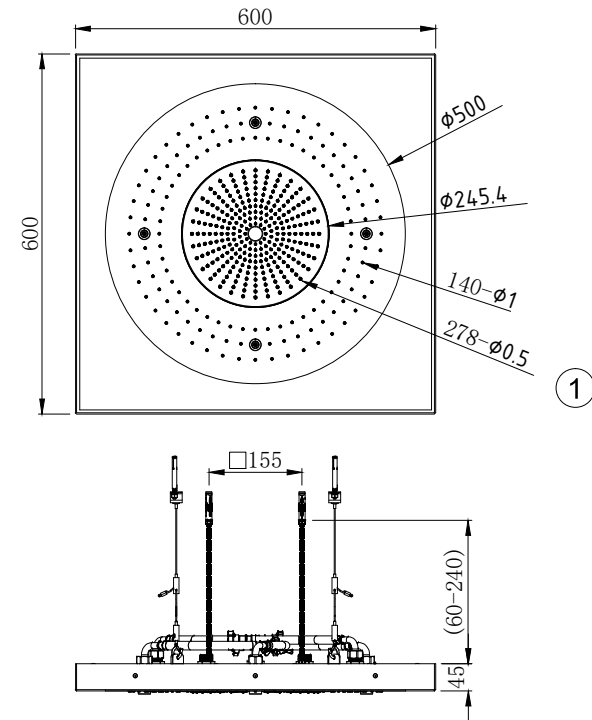
IV、 Installation steps



I、 Installation precautions

- 1、 After opening the product package, check the parts' completeness according to the *standard* parts list, if there is any defect, please contact the manufacturer or local dealer immediately.
- 2、 Then try to make sure the ceiling shower(we call shower hereinafter) and pre buried water pipe's size are perfectly matching .
- 3、 The shower liner part has been tested and debugged by our factory, no assembling or disassembling.
- 4、 Before your installation, please remove the dirt and impurities embedded in the pipeline first, so as not to affect the function of water .
- 5、 After the installation, please check whether the connection is tight and there is leakage of the pipeline .
- 6、 There are silica gel and other similar high temperature components inside the shower so do not long time contact the high temperature over 90 .
- 7、 Work pressure of the product: 0.6MPa - 0.2MPa, our recommended work pressure: 0.5MPa --0.05Mpa .
- 8、 Please pay attention to your safety when drilling and installing.

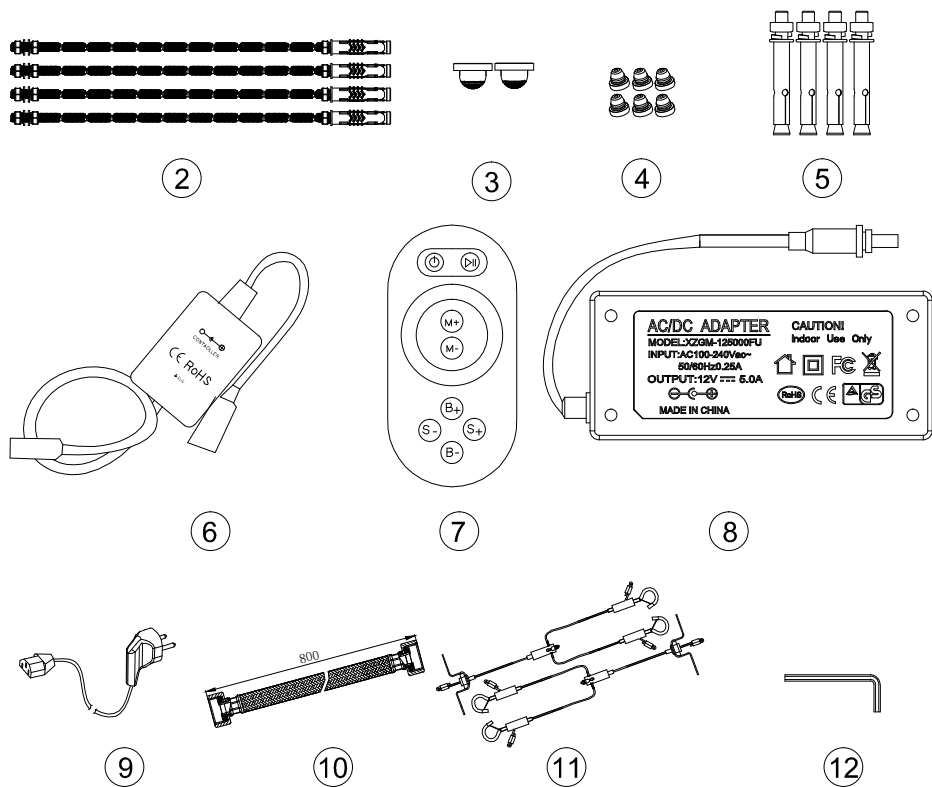
II、 Outside dimensional drawing



Unit: mm

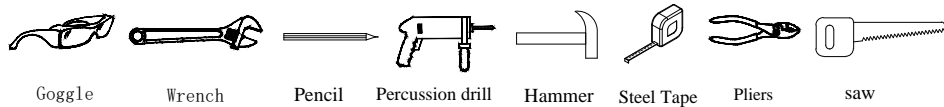
⚠ Our company has a policy of improving product design and performance, and reserve the right to change the product specification without prior notice.

III、Standard parts list

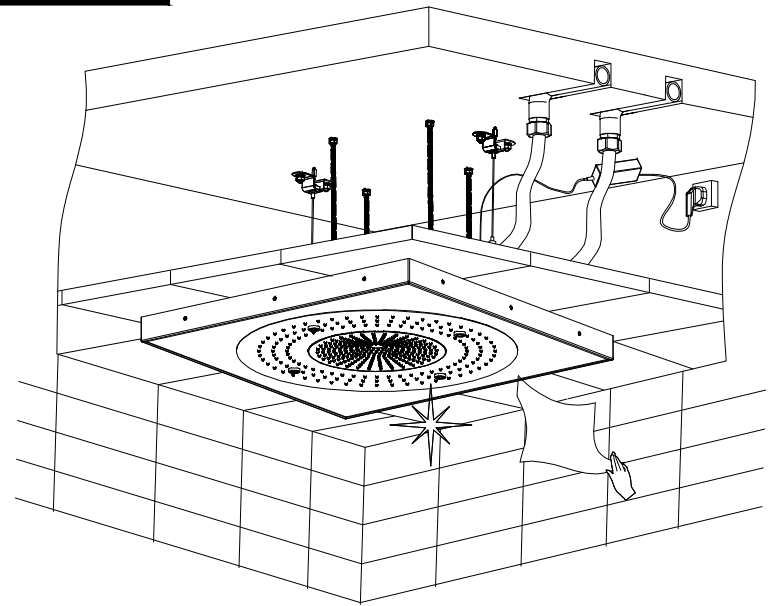


NO.	Name	Quantity	NO.	Name	Quantity
01	Ceiling shower body	1	08	Power adapter	1
02	Screw components	4	09	Power line	1
03	Screen	2	10	Flexible Pipe	2
04	Nozzle	6	11	Steel wire rope hook	2
05	Anchor bolt	4	12	H4 Hexagon Wrench	1
06	Light strip controller	1	13		
07	Remote control	1	14		

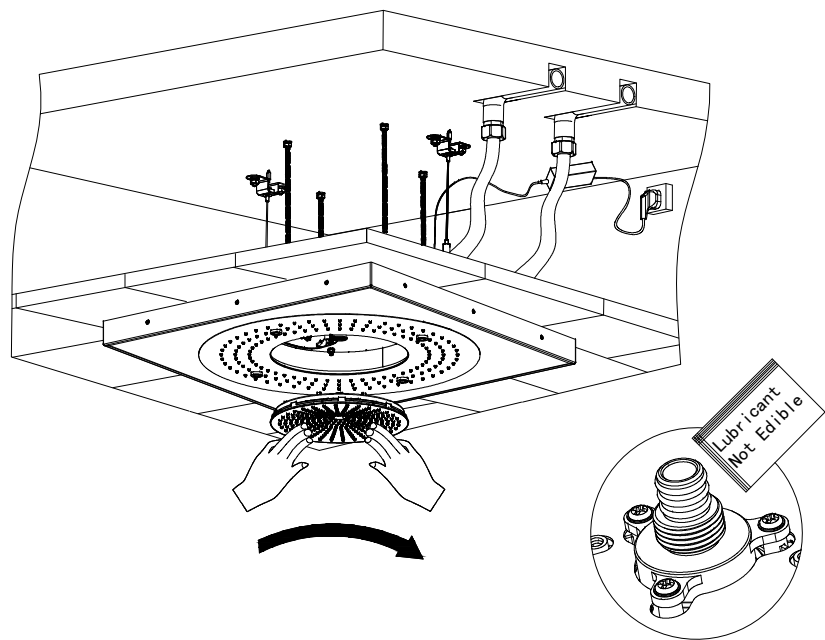
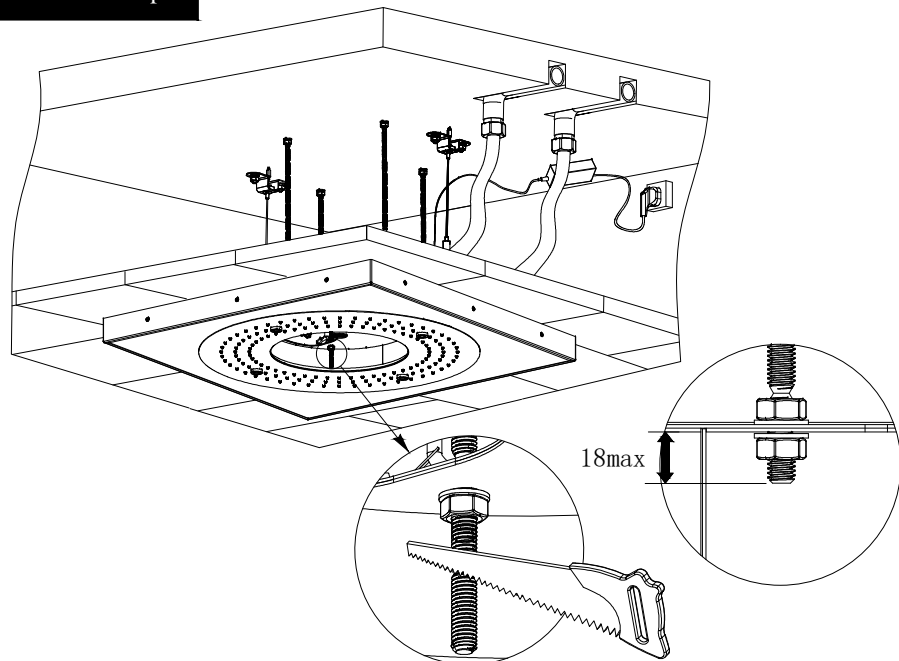
Tools Needed



IV、Installation steps

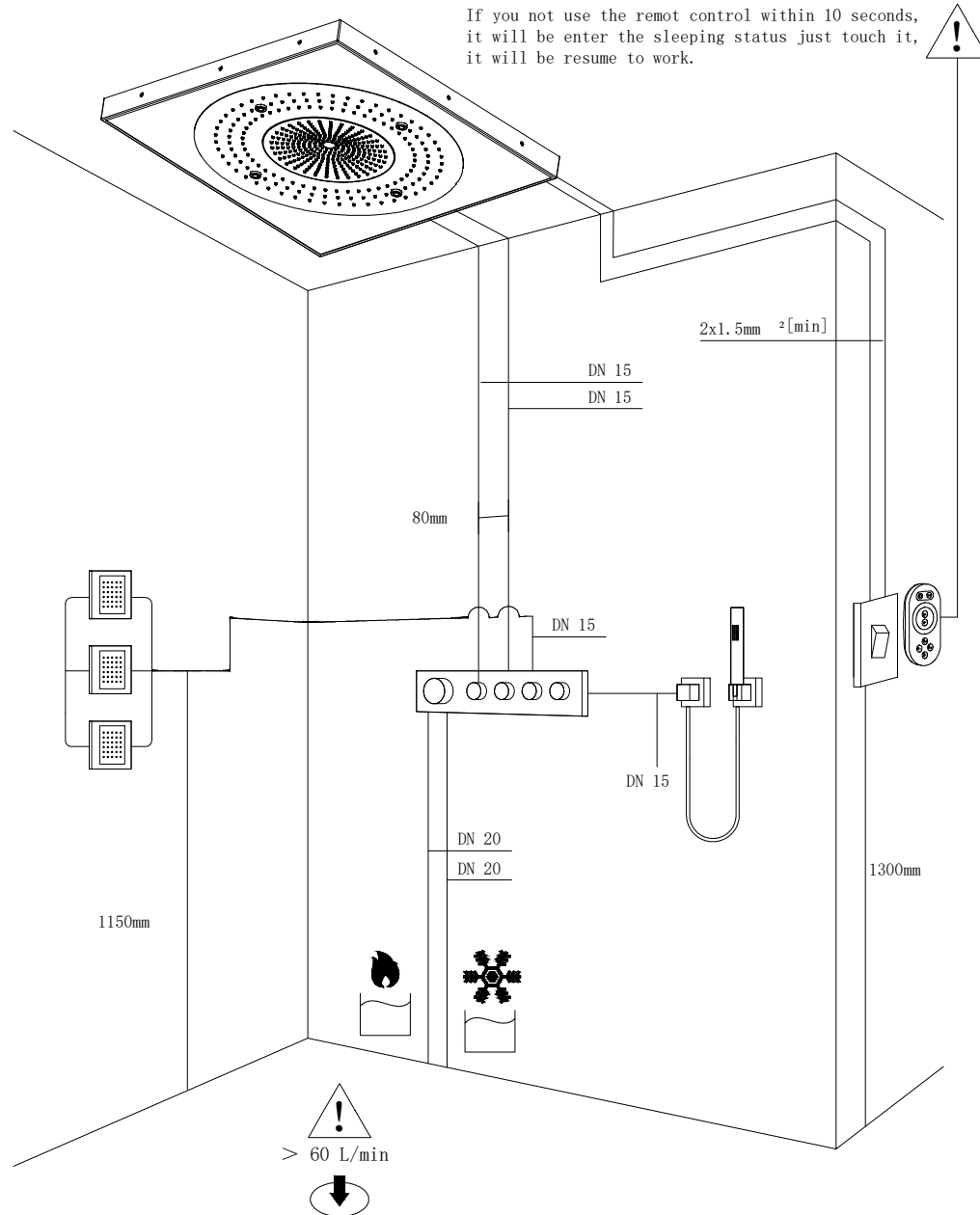


IV、Installation steps

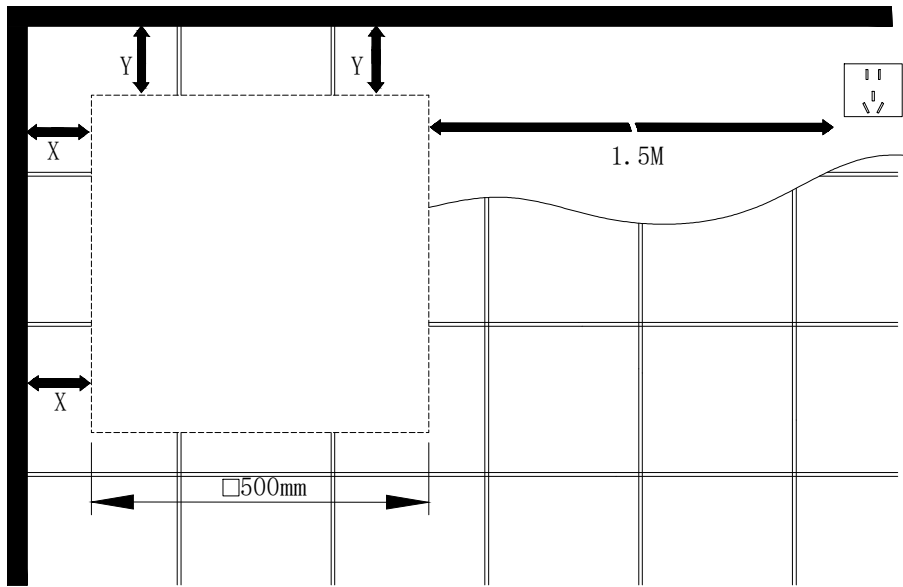


IV、Installation steps

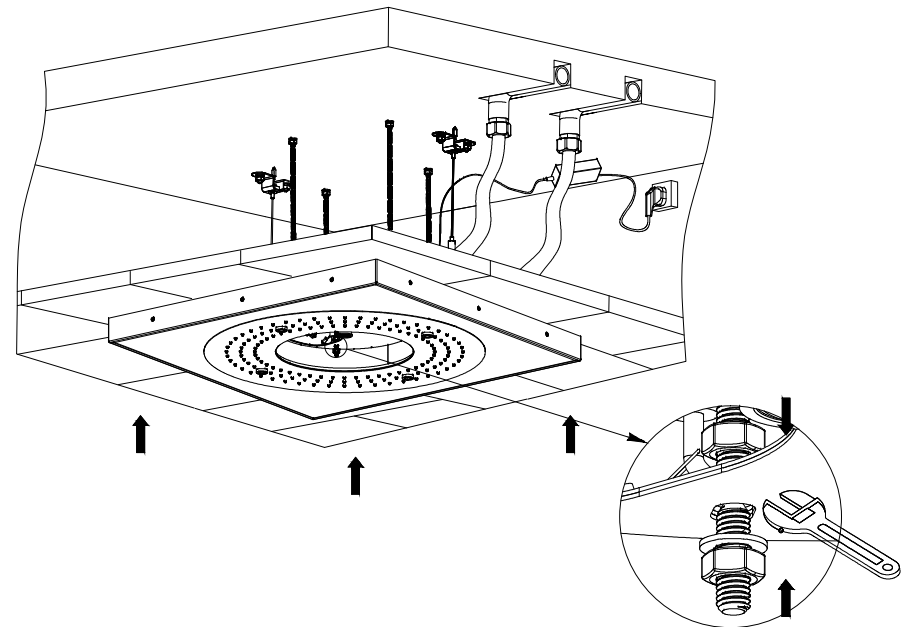
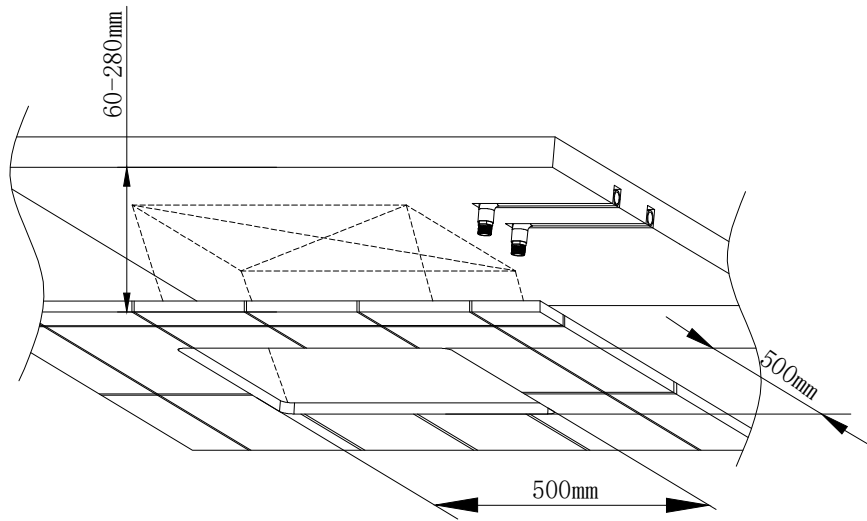
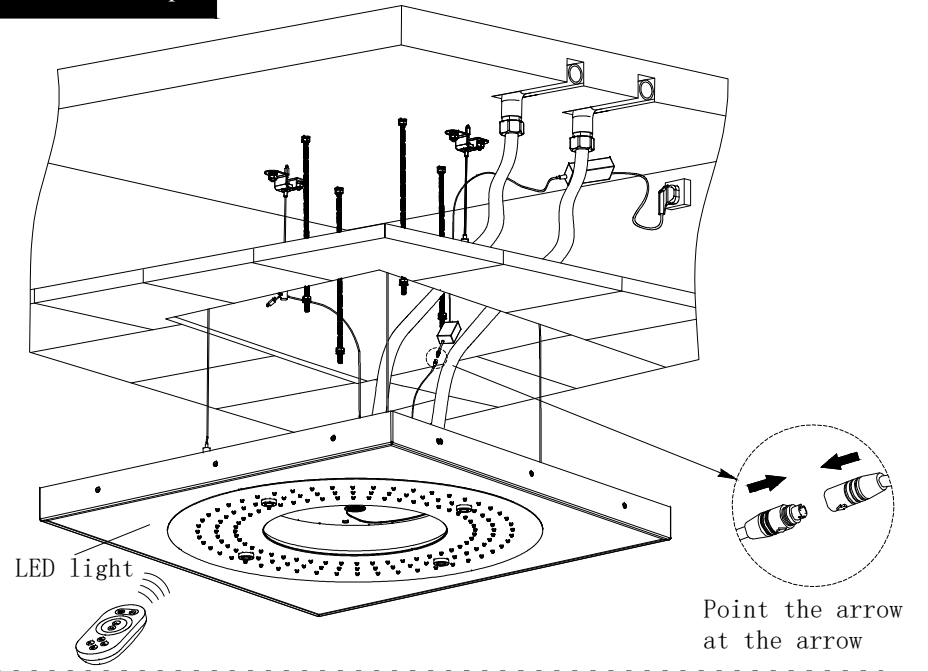
If you not use the remot control within 10 seconds, it will be enter the sleeping status just touch it, it will be resume to work.



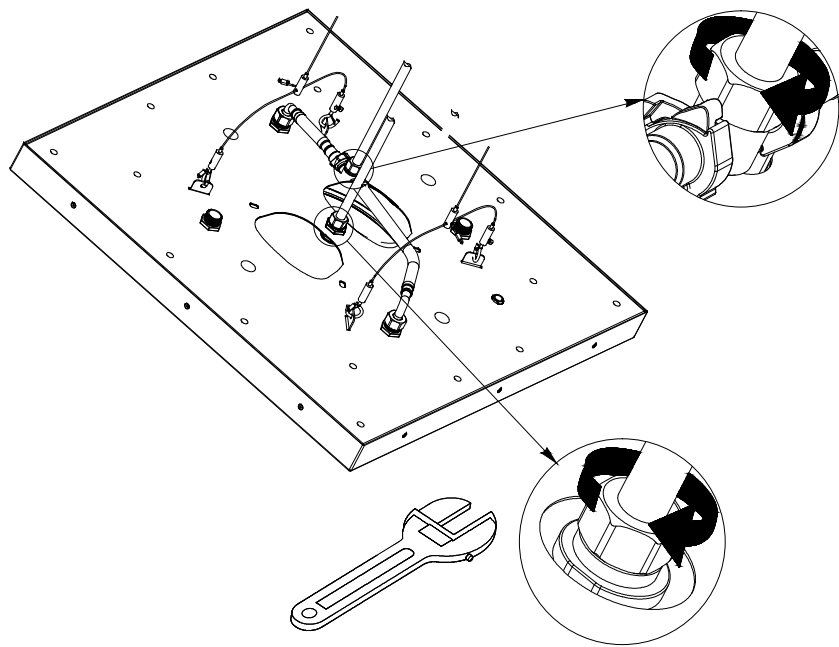
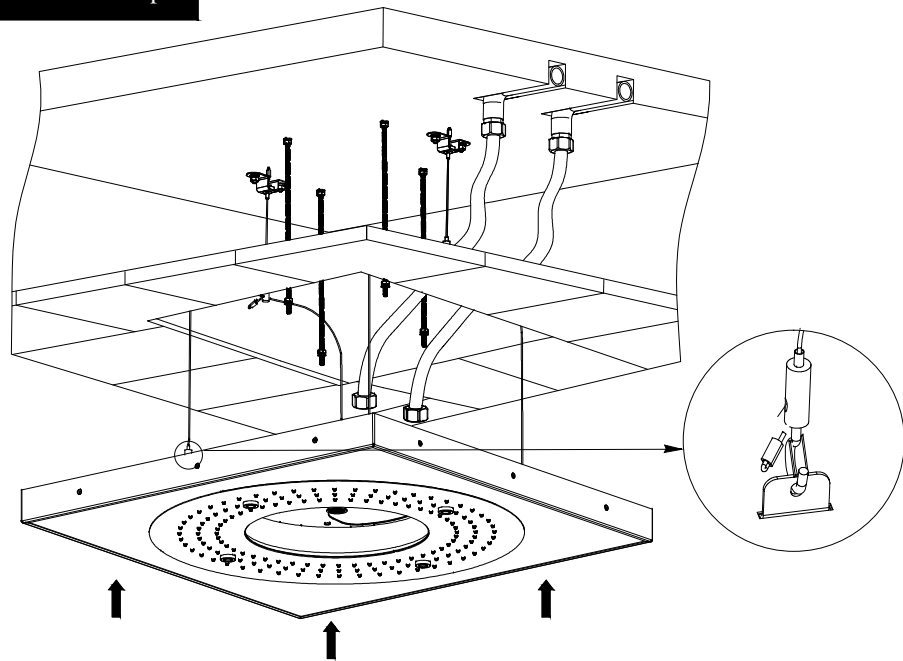
IV、Installation steps



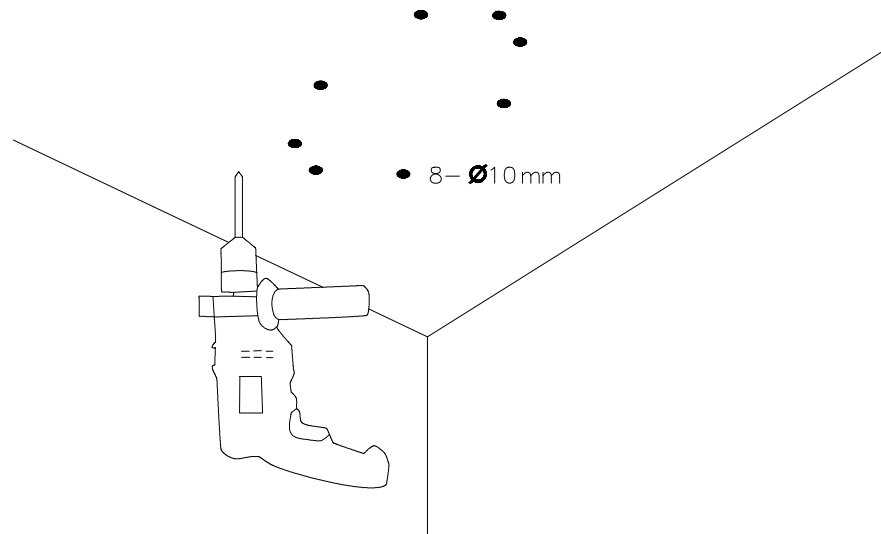
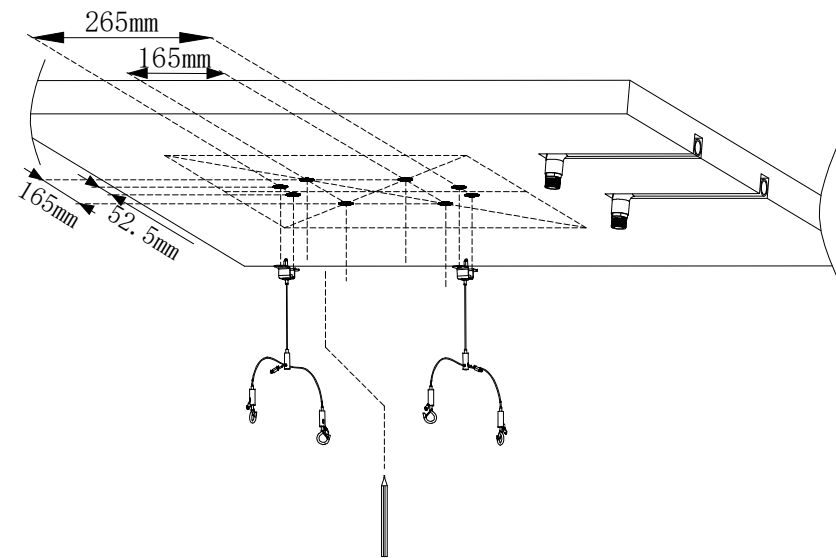
IV、Installation steps



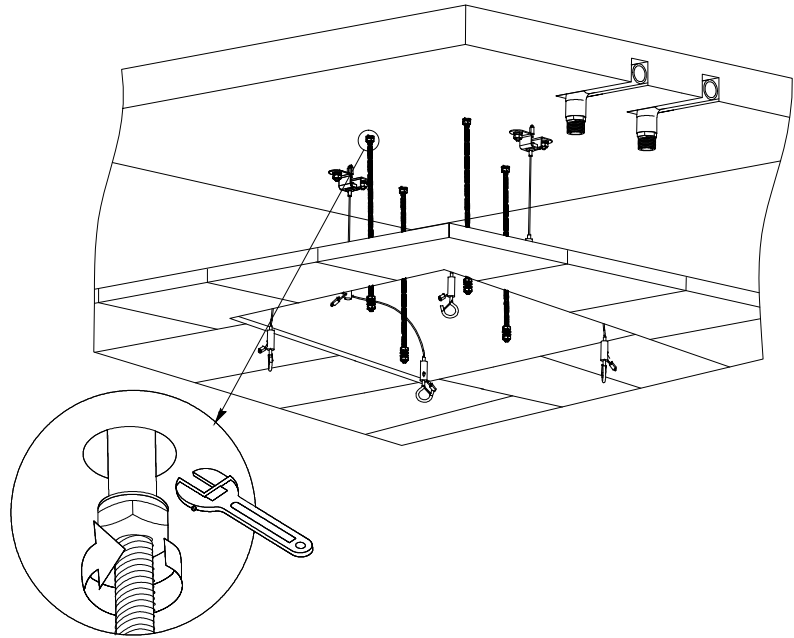
IV、Installation steps



IV、Installation steps

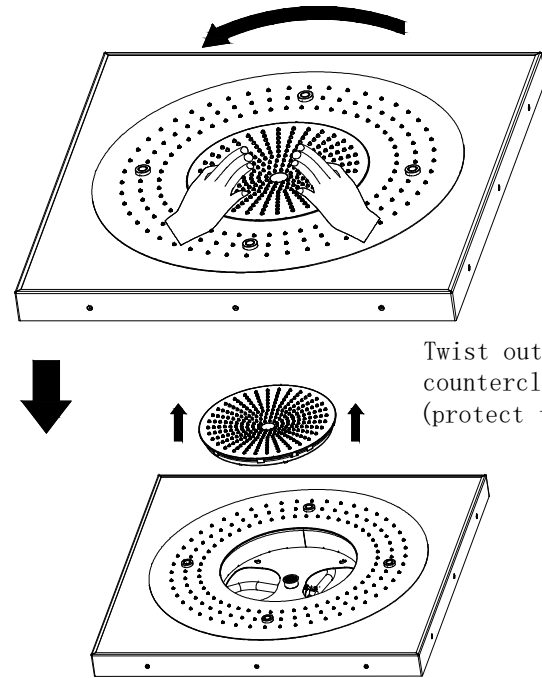
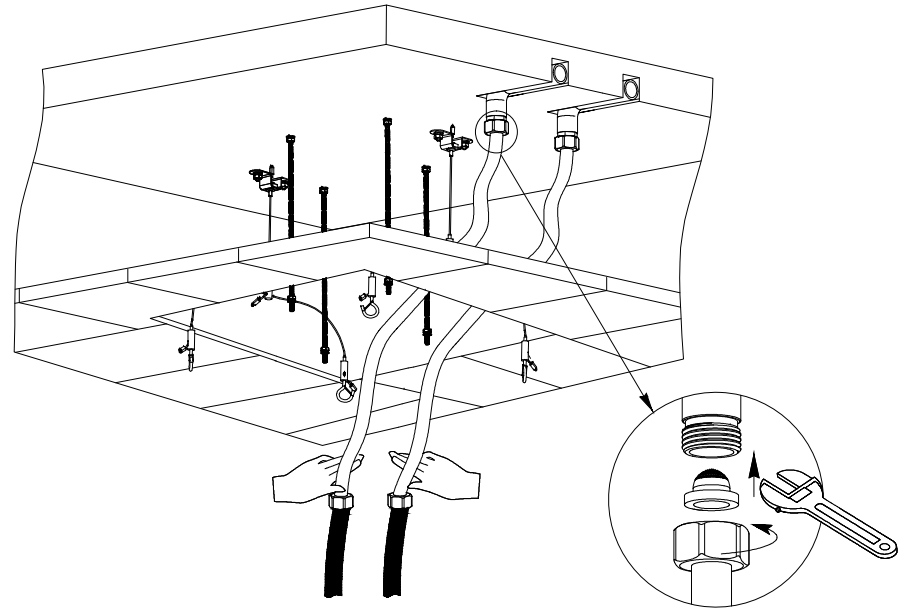


IV、Installation steps



6

IV、Installation steps



Twist out the shower
counterclockwise
(protect the shower)

7